

# SY0101



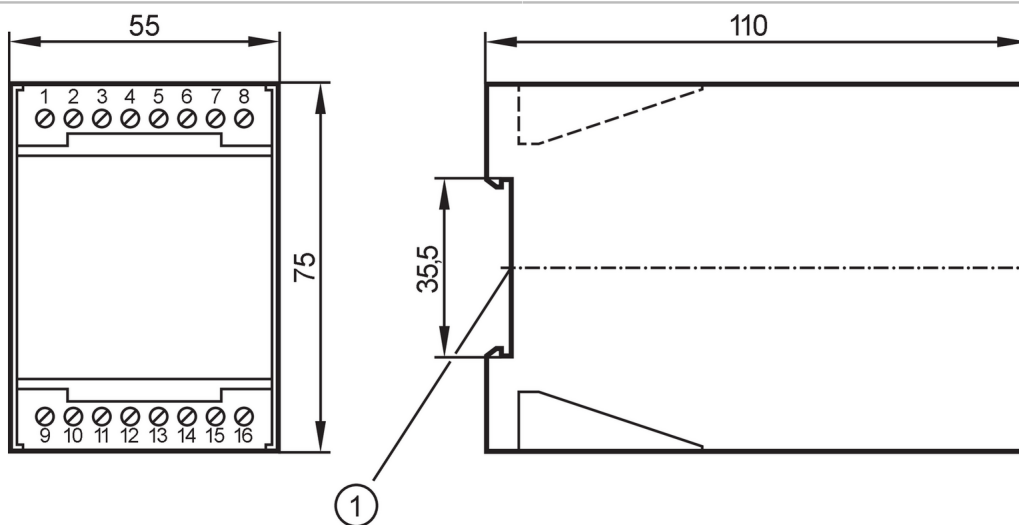
## Control monitor for flow sensors

VS0200/110VAC

Article no longer available - archive entry

Alternative articles: SN0150

When selecting an alternative article and accessories please note that technical data may differ!



1 mounting on DIN rail



### Application

Design	housing for DIN rail mounting
Application	Flow monitoring; Temperature monitoring

### Electrical data

Operating voltage tolerance	[%]	-10...10
Operating voltage	[V]	< 110 AC
Power-on delay time	[s]	30
Number of channels		1

### Outputs

Total number of outputs	2
Electrical design	relay
Switching function flow monitoring	relay energised when flow is present
Switching function temperature monitoring	relay energised when temperature is exceeded

### Software / programming

Adjustment of the switch point	potentiometer	
Selection liquids / gases	slide switch	
Temperature range	[°C]	20...80
Repeatability of the set switch point	[K]	4

### Operating conditions

Ambient temperature	[°C]	0...60
Protection		IP 40

# SY0101



## Control monitor for flow sensors

VS0200/110VAC

Protection rating terminals	IP 20
-----------------------------	-------

### Mechanical data

Type of mounting	mounting on DIN rail; (TH35 (EN 60715))
Dimensions [mm]	75 x 55 x 110
Materials	plastics

### Displays / operating elements

Display	function	11 x LED
	switching status	LED, red

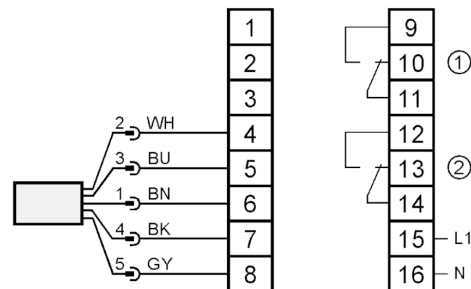
### Remarks

Pack quantity	1 pcs.
---------------	--------

### Electrical connection

terminals: 16 x ...2.5 mm<sup>2</sup>

### Connection



1: Relais Temperature monitoring

2: Relais Flow monitoring

Core colours :

BN = brown

BU = blue

BK = black

WH = white

GY = grey