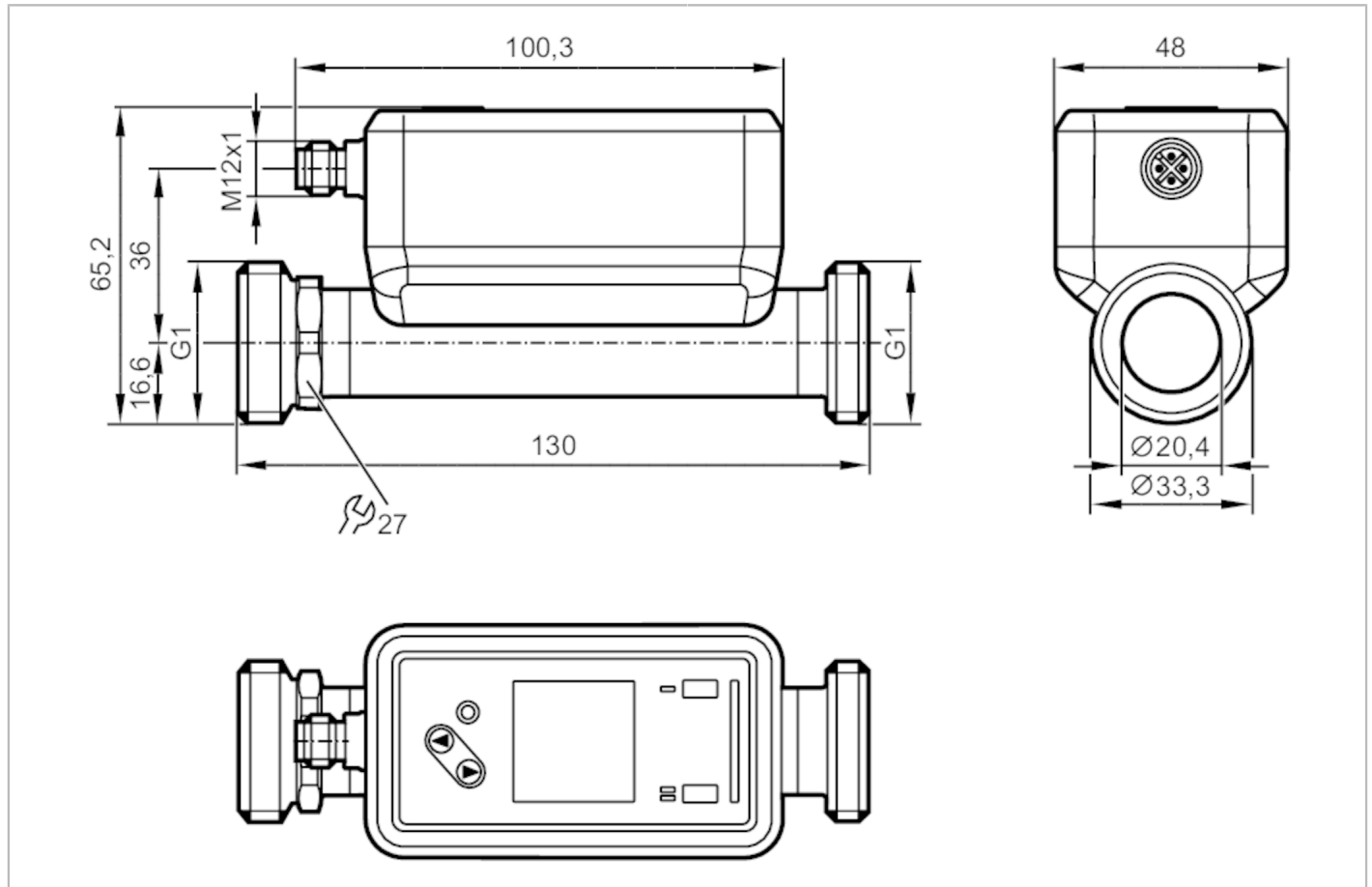


SU8021



Ultrasonic flow meter

SUR11XXBFRKG/US



ACS CE PA cUL LISTED US IO-Link KTW/W270 Reg31

Product characteristics	
Measuring range	1...240 l/min 0.06...14.4 m³/h 16...3804 gph 0.26...63.4 gpm
Process connection	G 1 DN25 external thread
Application	
Special feature	Gold-plated contacts
Media	ultra-pure water; water; hydrous media
Note on media	hydrous media: for media with >10 % additives, the repeatability is the only available value
Medium temperature	-20...100 °C -4...212 °F
Min. bursting pressure	150 bar 15 MPa
Pressure rating	100 bar 10 MPa
Vacuum resistance [mbar]	-1000
MAWP (for applications according to CRN) [bar]	100
Electrical data	
Operating voltage [V]	18...32 DC; (to SELV/PELV)
Current consumption [mA]	< 75
Protection class	III
Reverse polarity protection	yes
Power-on delay time [s]	5
Measuring principle	ultrasonic



Ultrasonic flow meter

SUR11XXBFRKG/US

Inputs				
Inputs	counter reset			
Outputs				
Total number of outputs	2			
Output signal	analogue signal; pulse signal; analogue signal; IO-Link; frequency signal; diagnostic signal; totaliser switching signal			
Electrical design	PNP/NPN			
Output function	normally open / normally closed; (parameterisable)			
Max. voltage drop switching output DC [V]	2			
Permanent current rating of switching output DC [mA]	100			
Switching frequency DC [Hz]	0...10000			
Analogue current output [mA]	4...20			
Max. load [Ω]	500			
Pulse output	flow rate meter			
Short-circuit protection	yes			
Type of short-circuit protection	pulsed			
Overload protection	yes			
Measuring/setting range				
Measuring range	1...240 l/min	0.06...14.4 m³/h	16...3804 gph	0.26...63.4 gpm
Display range	-288...288 l/min	-17.28...17.28 m³/h	-4565...4565 gph	-76.08...76.08 gpm
Resolution	0.1 l/min	0.001 m³/h	1 gph	0.02 gpm
Set point SP	2.3...240 l/min	0.139...14.4 m³/h	37...3804 gph	0.61...63.4 gpm
Reset point rP	1.1...238.8 l/min	0.064...14.325 m³/h	17...3784 gph	0.28...63.07 gpm
Analogue start point ASP	-240...192 l/min	-14.4...11.522 m³/h	-3804...3044 gph	-63.4...50.73 gpm
Analogue end point AEP	-192...240 l/min	-11.522...14.4 m³/h	-3044...3804 gph	-50.73...63.4 gpm
Low flow cut-off LFC	1...12 l/min	0.06...0.72 m³/h	16...190 gph	0.26...3.17 gpm
Frequency end point, FEP	48.1...240 l/min	2.889...14.4 m³/h	763...3804 gph	12.72...63.4 gpm
Frequency at the end point FRP [Hz]	1...10000			
Volumetric flow quantity monitoring				
Pulse length [s]	0.002...2			
Pulse value	0.02...99990000 l; 0.005...26414563.515 gal			
Temperature monitoring				
Measuring range	-20...100 °C		-4...212 °F	
Display range	-44...124 °C		-47.2...255.2 °F	
Resolution	0.1 °C		0.1 °F	
Set point SP	-19.6...100 °C		-3.2...212 °F	
Reset point rP	-20...99.6 °C		-4...211.2 °F	
Analogue start point	-20...76 °C		-4...168.8 °F	
Analogue end point	4...100 °C		39.2...212 °F	
Frequency start point, FSP	-20...76 °C		-4...168.8 °F	
Frequency end point, FEP	4...100 °C		39.2...2121 °F	
Frequency at the end point FRP [Hz]	1...10000			



Ultrasonic flow meter

SUR11XXBFRKG/US

Accuracy / deviations		
Flow monitoring		
Accuracy (in the measuring range)		$\pm (1,0 \% MW + 0,5 \% MEW)$
Repeatability		$\pm 0,2 \% MEW$
Temperature monitoring		
Accuracy [K]		$\pm 2,5 (Q > 5 \% MEW)$
Temperature coefficient [% of the span / 10 K]		0,2
Response times		
Flow monitoring		
Response time [s]		$< 0,25; (dAP = 0, T09)$
Damping process value dAP [s]		0...5
Temperature monitoring		
Dynamic response T05 / T09 [s]		5,7 / 86
Software / programming		
Diagnostic functions		direction of flow detection; signal quality
Interfaces		
Communication interface		IO-Link
Transmission type		COM2 (38,4 kBaud)
IO-Link revision		1.1.3
SDCI standard		IEC 61131-9: 2013-07
Profiles		Identification and Diagnosis (0x4000)
Required master port type		A
Process data analogue		3
Process data binary		2
Min. process cycle time [ms]		9.6
IO-Link process data (cyclical)	function	bit length
	totaliser	32
	Flow monitoring	32
	Temperature monitoring	32
	status	4
	Output 1	1
	Output 2	1
	Supported DeviceIDs	Type of operation
default		1463
Operating conditions		
Ambient temperature [°C]		-20...60
Storage temperature [°C]		-25...80
Protection		IP 67
Tests / approvals		
EMC	DIN 61326-1:2021	
CPA approval	model number	002US
	accuracy class	1,5
Shock resistance	DIN IEC 68-2-27	20 g (11ms)

SU8021



Ultrasonic flow meter

SUR11XXBFRKG/US

Vibration resistance	DIN IEC 68-2-6	5 g (10...2000Hz)
MTTF [years]		160
UL approval	UL Approval no.	I034
	File number UL	E174189
Pressure Equipment Directive	can be used for group 2 fluids; group 1 fluids on request	

Mechanical data

Weight [g]	496.8
Type of mounting	inlet pipe length 5xDN; outlet pipe length 1xDN
Materials	housing: stainless steel (316L/1.4404); Display: PFA; Sealing Display: FKM; connector: POKAN
Materials (wetted parts)	Pipe section: stainless steel (316L/1.4404); Process connection sealing: Centellen Flat seal
Process connection	G 1 DN25 external thread
Surface characteristics Ra/Rz of the wetted parts	1.25 µm

Displays / operating elements

Display		colour display 1,44", 128 x 128 pixels
	Switching function	2 x LED, yellow
	diagnosis	1 x LED, three-colour

Accessories

Items supplied	Flat seal 2, Centellen package insert
----------------	--

Remarks

Remarks	MW = measured value
	MEW = Final value of the measuring range
	pulse and totaliser signal are only available for one of the two outputs
	the accuracy indications are adhered to over the entire application area
Pack quantity	1 pcs.

Electrical connection

Connector: 1 x M12; coding: A; Contacts: gold-plated





Ultrasonic flow meter

SUR11XXBFRKG/US

Connection



OUT1/IO-Link: switching output volumetric flow quantity monitoring
 switching output Temperature monitoring
 Pulse output quantity meter
 frequency output volumetric flow quantity monitoring
 frequency output Temperature monitoring
 signal output Preset counter

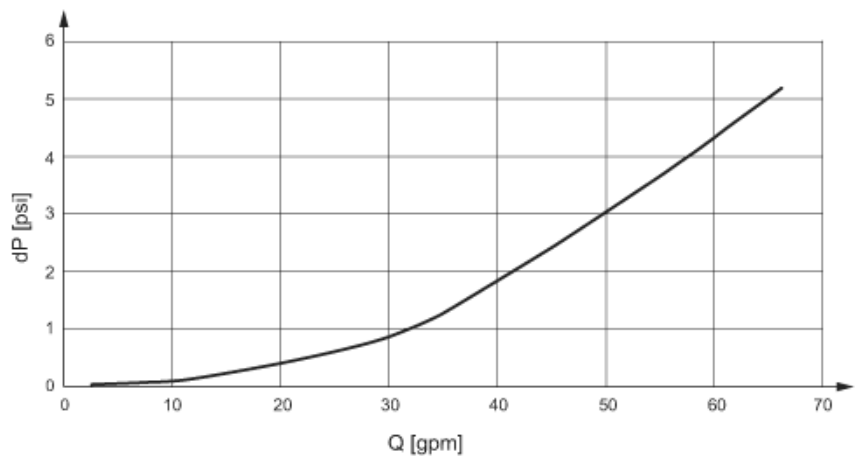
OUT2/InD: switching output volumetric flow quantity monitoring
 switching output Temperature monitoring
 Pulse output quantity meter
 analogue output flow
 analogue output temperature
 signal output Preset counter
 input counter reset

colours to DIN EN
 60947-5-2

Core colours BK= black
 BN= brown
 BU= blue
 WH= white

Diagrams and graphs

Note on pressure loss



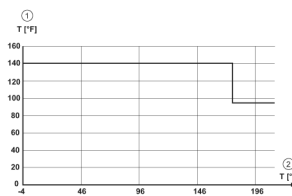
SU8021

Ultrasonic flow meter

SUR11XXBFRKG/US



derating ambient temperature



- 1 Ambient temperature
- 2 Medium temperature