

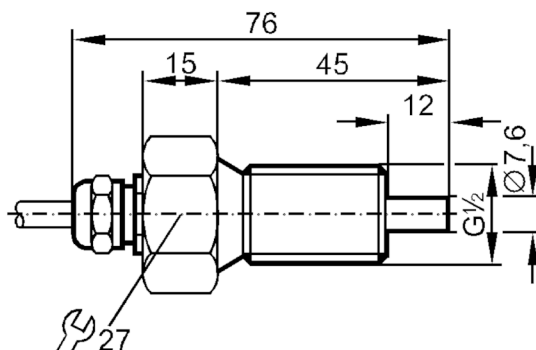
ST3300



Flow sensor for connection to an evaluation unit

STR12ZBB

Article no longer available - archive entry



Product characteristics

Process connection G 1/2 external thread

Application

Application high-temperature range

Media Liquids; Gases

Pressure rating [bar]

30

Liquids

Application high-temperature range

Medium temperature [°C]

0...120

Gases

Medium temperature [°C]

0...100

Electrical data

Connection to control monitor

VS 0100

Measuring/setting range

Liquids

Setting range [cm/s]

3...300

Greatest sensitivity [cm/s]

3...60

Gases

Setting range [cm/s]

5...1500

Accuracy / deviations

Temperature gradient [K/min]

15

Response times

Response time [s]

1...10

ST3300

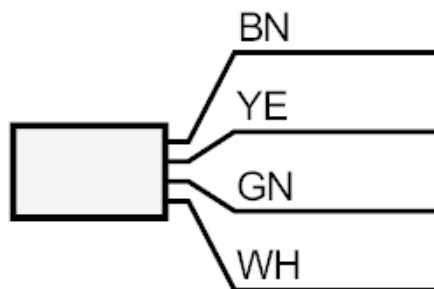


Flow sensor for connection to an evaluation unit

STR12ZBB

Liquids		
Response time	[s]	1...10
Gases		
Response time	[s]	1...10
Operating conditions		
Protection		IP 67
Mechanical data		
Housing		threaded type
Materials		stainless steel (1.4571/316Ti)
Process connection		G 1/2 external thread
Remarks		
Pack quantity		1 pcs.
Electrical connection		
Cable: 2 m, silicone; Maximum cable length: 100 m; 4 x 0.25 mm ²		

Connection



	Core colours :
BN =	brown
GN =	green
WH =	white
YE =	yellow

Article no longer available - archive entry