

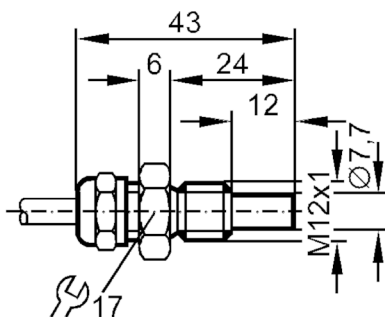
ST1210



Flow sensor for connection to an evaluation unit

STM12ABBE1

Article no longer available - archive entry



Application

Application	Ex zone 1
Medium temperature [°C]	-25...80
Pressure rating [bar]	30

Liquids

Application	Ex zone 1
Medium temperature [°C]	-25...80

Gases

Medium temperature [°C]	-25...80
-------------------------	----------

Electrical data

Connection to control monitor	VS 0100 Ex
-------------------------------	------------

Measuring/setting range

Liquids

Setting range [cm/s]	3...300
Greatest sensitivity [cm/s]	3...60

Gases

Setting range [cm/s]	5...1500
----------------------	----------

Accuracy / deviations

Temperature gradient [K/min]	15
------------------------------	----

Response times

Response time [s]	1...10
-------------------	--------

Liquids

Response time [s]	1...10
-------------------	--------

Gases

Response time [s]	1...10
-------------------	--------

Operating conditions

Protection	IP 67
------------	-------

ST1210



Flow sensor for connection to an evaluation unit

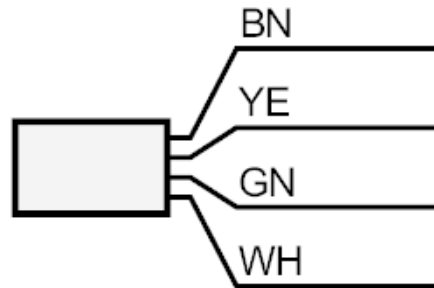
STM12ABBE1

Mechanical data	
Housing	threaded type
Dimensions [mm]	M12 x 1
Thread designation	M12 x 1
Materials	stainless steel (1.4571/316Ti)
Process connection	M12 x 1

Remarks	
Pack quantity	1 pcs.

Electrical connection
Cable: 2 m, Silflex-PUR; Maximum cable length: 100 m; 4 x 0.25 mm²

Connection



	Core colours :
BN =	brown
GN =	green
WH =	white
YE =	yellow

Article no longer available - archive entry