

ST0515

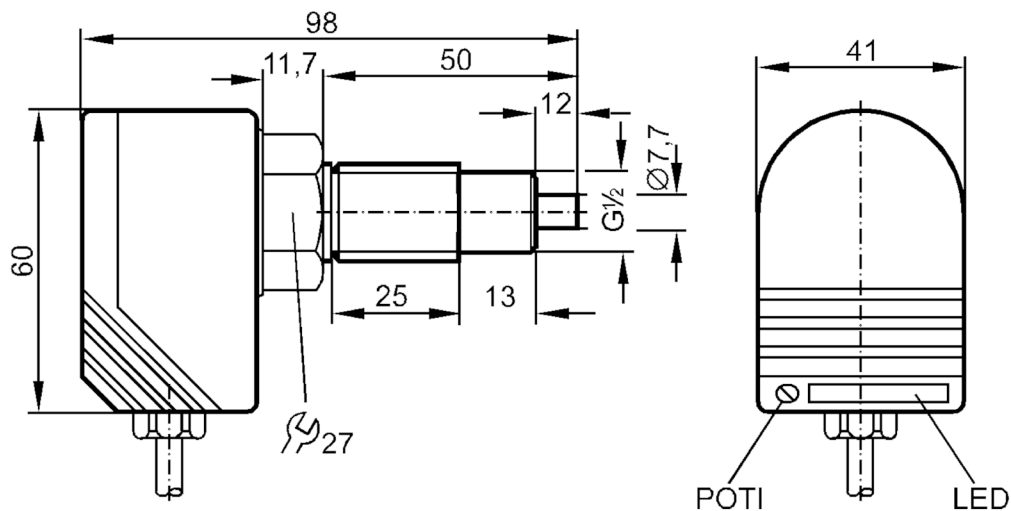


Flow monitor

SCR12ABAFPKG/PH

Article no longer available - archive entry

Alternative article: SI5000 + E40096 When selecting an alternative article and accessories please note that technical data may differ! – When selecting an alternative article and accessories please note that technical data may differ!



Product characteristics

Number of inputs and outputs	Number of digital outputs: 1
Process connection	G 1/2 external thread

Application

Media	Liquids
Medium temperature [°C]	-25...80
Pressure rating [bar]	30

Electrical data

Operating voltage [V]	20...36 DC
Current consumption [mA]	< 45
Reverse polarity protection	yes
Power-on delay time [s]	< 20

Inputs / outputs

Number of inputs and outputs	Number of digital outputs: 1
------------------------------	------------------------------

ST0515



Flow monitor

SCR12ABAFPKG/PH

Outputs		
Total number of outputs		1
Output signal		switching signal
Electrical design		PNP
Number of digital outputs		1
Output function		normally open / normally closed; (parameterisable)
Max. voltage drop switching output DC	[V]	2.5
Permanent current rating of switching output DC	[mA]	400
Short-circuit protection		yes
Type of short-circuit protection		pulsed
Overload protection		yes
Measuring/setting range		
Setting range	[cm/s]	3...300
Greatest sensitivity	[cm/s]	3...60
Accuracy / deviations		
Temperature gradient	[K/min]	15
Response times		
Response time	[s]	1...10
Software / programming		
Adjustment of the switch point		potentiometer
Operating conditions		
Ambient temperature	[°C]	-20...80
Protection		IP 67
Mechanical data		
Materials		PBT-GF20
Materials (wetted parts)		stainless steel (1.4305 / 303)
Process connection		G 1/2 external thread
Displays / operating elements		
Display	function	11 x LED
Accessories		
Accessories (supplied)		sealings: 2 x AMF 30 screwdrivers
Remarks		
Pack quantity		1 pcs.

ST0515



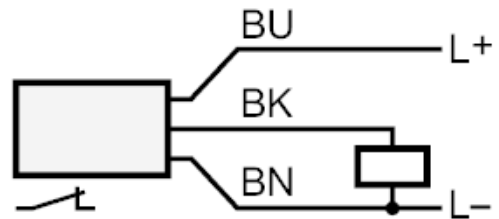
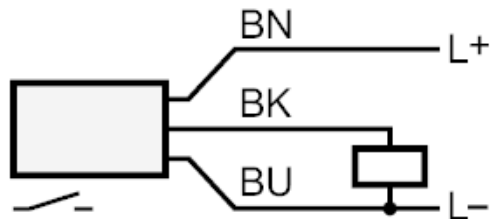
Flow monitor

SCR12ABAFPKG/PH

Electrical connection

Cable: 2 m, PUR; 3 x 0.5 mm², PVC

Connection



Core colours :

BN = brown
BU = blue
BK = black

Article no longer available - archive entry

Alternative article: SI5000 + E40096 When selecting an alternative article and accessories please note that technical data may differ! – When selecting an alternative article and accessories please note that technical data may differ!