

SI0508



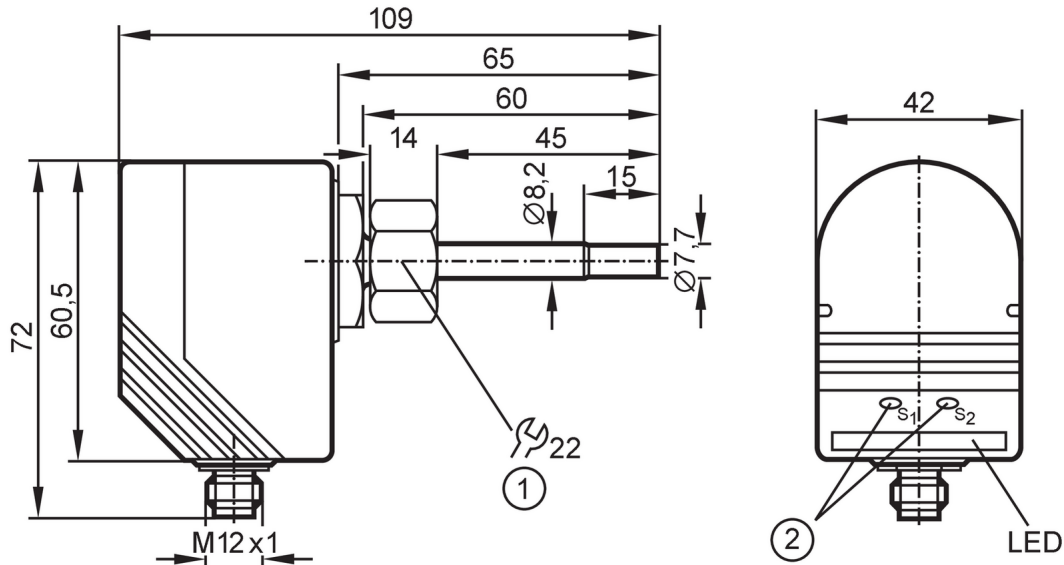
Flow monitor

SID10ABBFPKG/US-100-IPF

Article no longer available - archive entry

Alternative articles: SI5000

When selecting an alternative article and accessories please note that technical data may differ!



- 1 internal thread M18 x 1.5
- 2 setting pushbuttons



Product characteristics

Number of inputs and outputs	Number of digital outputs: 1
Process connection	threaded connection M18 x 1,5 internal thread

Application

Media	Liquids; Gases	
Medium temperature [°C]	-25...80	
Pressure rating	30 bar	3 MPa

Liquids

Medium temperature [°C]	-25...80
-------------------------	----------

Gases

Medium temperature [°C]	-25...80
-------------------------	----------

Electrical data

Operating voltage [V]	20...36 DC; (to SELV/PELV)
Current consumption [mA]	< 80
Reverse polarity protection	yes
Power-on delay time [s]	10; (optically indicated)

Inputs / outputs

Number of inputs and outputs	Number of digital outputs: 1
------------------------------	------------------------------

Outputs

Total number of outputs	1
Output signal	switching signal

SI0508



Flow monitor

SID10ABBFPKG/US-100-IPF

Electrical design		PNP
Number of digital outputs		1
Output function		normally open / normally closed; (parameterisable)
Max. voltage drop switching output DC	[V]	2.5
Permanent current rating of switching output DC	[mA]	400
Short-circuit protection		yes
Type of short-circuit protection		pulsed
Overload protection		yes
Measuring/setting range		
Liquids		
Setting range	[cm/s]	3...300
Greatest sensitivity	[cm/s]	3...60
Gases		
Setting range	[cm/s]	200...3000
Greatest sensitivity	[cm/s]	200...800
Response times		
Liquids		
Response time	[s]	1...10
Gases		
Response time	[s]	1...10
Software / programming		
Adjustment of the switch point		+/- pushbutton
Operating conditions		
Ambient temperature	[°C]	-25...80
Protection		IP 67
Tests / approvals		
Shock resistance	DIN IEC 68-2-27	50 g (11 ms)
Vibration resistance	DIN EN 60068-2-6	20 g (55...2000 Hz)
Mechanical data		
Weight	[g]	274.5
Housing		rectangular
Dimensions	[mm]	60.5 x 42 x 109
Materials		PBT-GF20
Materials (wetted parts)		stainless steel (316L/1.4404); O-ring: FKM 80 Shore A
Process connection		threaded connection M18 x 1,5 internal thread
Probe diameter	[mm]	8.2
Installation length EL	[mm]	45
Displays / operating elements		
Display	function	10 x LED, three-colour

SI0508



Flow monitor

SID10ABBFPKG/US-100-IPF

Remarks

Pack quantity

1 pcs.

Electrical connection

Connector: 1 x M12; coding: A; Contacts: 4



Connection

