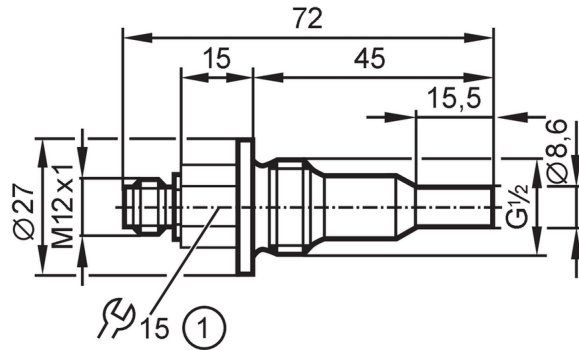


SF3405



Flow sensor for connection to an evaluation unit

SFR12XBK/US-100



1 tightening torque max. 30 Nm



Product characteristics	
Probe length L [mm]	30
Process connection	threaded connection G 1/2 external thread
Application	
Media	Liquids; aggressive media
Medium temperature [°C]	5...70
Pressure rating	30 bar 3 MPa
Liquids	
Medium temperature [°C]	5...70
Electrical data	
Connection to control monitor	VS3000
Measuring/setting range	
Probe length L [mm]	30
Liquids	
Setting range [cm/s]	3...60
Greatest sensitivity [cm/s]	3...40
Accuracy / deviations	
Temperature gradient [K/min]	7
Response times	
Response time [s]	2...20
Liquids	
Response time [s]	2...20
Operating conditions	
Protection	IP 67
Tests / approvals	
Shock resistance	DIN IEC 68-2-27 40 g (11 ms)
Vibration resistance	DIN IEC 68-2-6 10 g (55...2000 Hz)
MTTF [years]	8213
Mechanical data	
Weight [g]	55
Housing	cylindrical

SF3405



Flow sensor for connection to an evaluation unit

SFR12XBK/US-100

Materials	ceramics (99.7 % Al ₂ O ₃)
Materials (wetted parts)	ceramics (99.7 % Al ₂ O ₃)
Process connection	threaded connection G 1/2 external thread
Probe diameter [mm]	8.6
Installation length EL [mm]	45

Accessories

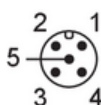
Items supplied	sealings: 1, PTFE
----------------	-------------------

Remarks

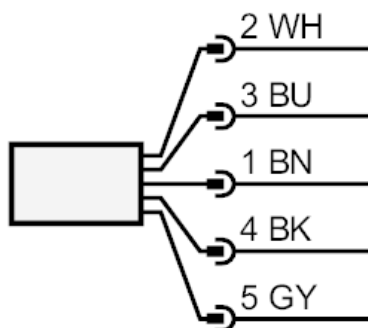
Remarks	For sealing use the supplied PTFE packing washer.
Pack quantity	1 pcs.

Electrical connection

Connector: 1 x M12; coding: A; Contacts: 5; Maximum cable length: 100 m



Connection



	Core colours :
BN =	brown
BU =	blue
BK =	black
WH =	white
GY =	grey