

SF2000



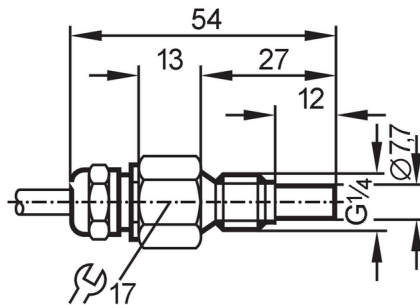
Flow sensor for connection to an evaluation unit

SFR14ABA

Article no longer available - archive entry

Alternative articles: SF5350 + E40099

When selecting an alternative article and accessories please note that technical data may differ!



Product characteristics

Process connection	threaded connection G 1/4 external thread
--------------------	---

Application

Application	high-temperature range
Media	Liquids; Gases
Medium temperature [°C]	-25...80
Pressure rating	30 bar 3 MPa

Liquids

Application	high-temperature range
Medium temperature [°C]	-25...80

Gases

Medium temperature [°C]	-25...80
-------------------------	----------

Electrical data

Connection to control monitor	VS 0200
-------------------------------	---------

Measuring/setting range

Liquids	
Setting range [cm/s]	3...300
Greatest sensitivity [cm/s]	3...60
Gases	
Setting range [cm/s]	200...2000
Greatest sensitivity [cm/s]	200...800

Accuracy / deviations

Temperature gradient [K/min]	15
------------------------------	----

Response times

Response time [s]	1...10
-------------------	--------

Liquids

Response time [s]	1...10
-------------------	--------

Gases

Response time [s]	1...10
-------------------	--------

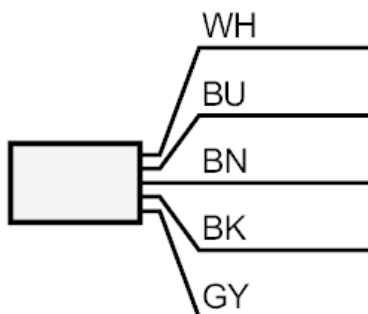
SF2000



Flow sensor for connection to an evaluation unit

SFR14ABA

Operating conditions	
Protection	IP 67
Mechanical data	
Housing	cylindrical
Materials	stainless steel (303/1.4305)
Materials (wetted parts)	stainless steel (303/1.4305)
Process connection	threaded connection G 1/4 external thread
Probe diameter [mm]	7.7
Installation length EL [mm]	27
Accessories	
Items supplied	sealings: 2 x AMF 30
Remarks	
Pack quantity	1 pcs.
Electrical connection	
Cable: 2 m, PUR; Maximum cable length: 100 m; 5 x 0.34 mm ² , PVC	
Connection	



	Core colours :
BN =	brown
BU =	blue
BK =	black
WH =	white
GY =	grey