

# SF1004



## Flow sensor for connection to an evaluation unit

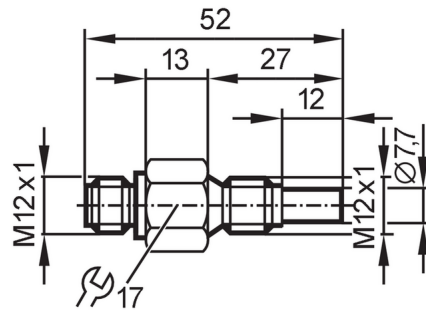
SFM12ABA/US-100

CSA

Article no longer available - archive entry

Alternative articles: SF5200 + E40101

When selecting an alternative article and accessories please note that technical data may differ!



### Product characteristics

Process connection threaded connection M12 x 1 external thread

### Application

Application high-temperature range

Media Liquids; Gases

Medium temperature [°C] -25...80

Pressure rating 30 bar 3 MPa

### Liquids

Application high-temperature range

Medium temperature [°C] -25...80

### Gases

Medium temperature [°C] -25...80

### Electrical data

Connection to control monitor VS 0200

### Measuring/setting range

#### Liquids

Setting range [cm/s] 3...300

Greatest sensitivity [cm/s] 3...60

#### Gases

Setting range [cm/s] 200...2000

Greatest sensitivity [cm/s] 200...800

### Accuracy / deviations

Temperature gradient [K/min] 15

### Response times

Response time [s] 1...10

#### Liquids

Response time [s] 1...10

# SF1004



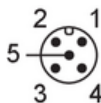
## Flow sensor for connection to an evaluation unit

SFM12ABA/US-100 CSA

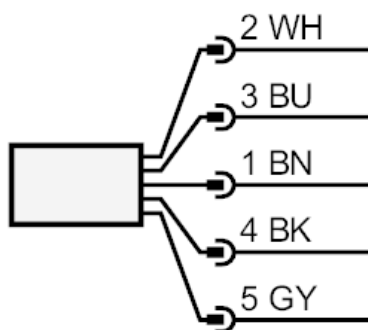
Gases		
Response time	[s]	1...10
Operating conditions		
Protection		IP 67
Mechanical data		
Housing		cylindrical
Materials		stainless steel (303/1.4305)
Materials (wetted parts)		stainless steel (303/1.4305)
Process connection		threaded connection M12 x 1 external thread
Probe diameter	[mm]	7.7
Installation length EL	[mm]	27
Accessories		
Items supplied		sealings: 2 x AMF 30
Remarks		
Pack quantity		1 pcs.

### Electrical connection

Connector: 1 x M12; coding: A; Contacts: 5; Maximum cable length: 100 m



### Connection



Core colours :  
BN = brown  
BU = blue  
BK = black  
WH = white  
GY = grey