

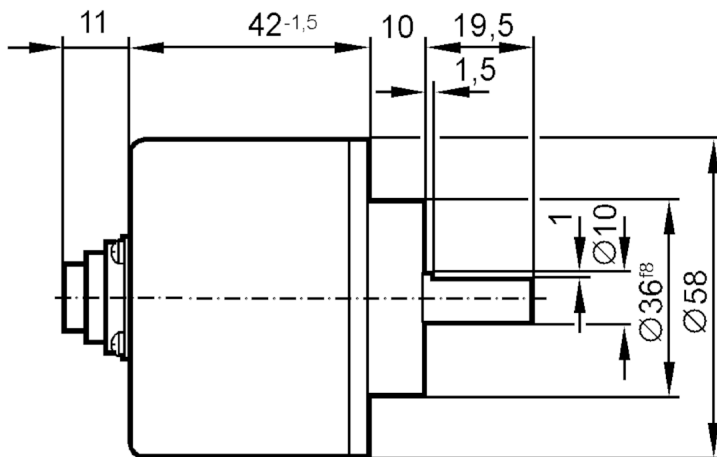
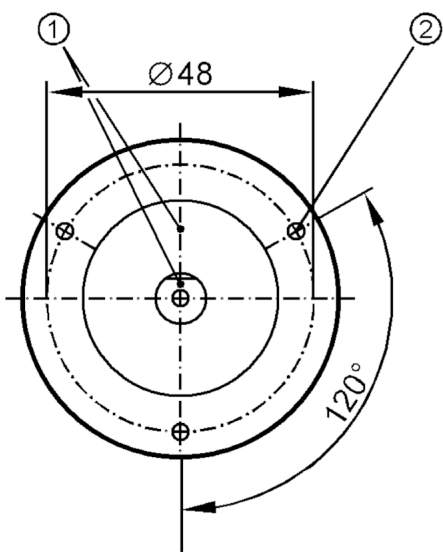
RV6092



Incremental encoder with solid shaft

RV-0100-I24/S

Article no longer available - archive entry



- 1 reference mark
- 2 M3 Depth 5 mm



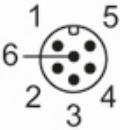
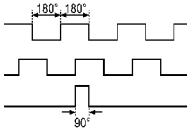
Product characteristics	
Resolution	100 resolution
Shaft design	solid shaft
Shaft diameter [mm]	10
Electrical data	
Operating voltage [V]	10...30 DC
Current consumption [mA]	150
Outputs	
Electrical design	HTL
Max. current load per output [mA]	50
Switching frequency [kHz]	300
Type of short-circuit protection	< 60 s
Phase difference A and B [°]	90
Measuring/setting range	
Resolution	100 resolution
Operating conditions	
Ambient temperature [°C]	-20...70
Storage temperature [°C]	-30...100
Max. relative air humidity [%]	98
Protection	IP 64

RV6092



Incremental encoder with solid shaft

RV-0100-I24/S

Tests / approvals		
Shock resistance		100 g (11 ms)
Vibration resistance		10 g (58...2000 Hz)
MTTF	[years]	190
Mechanical data		
Weight	[g]	44
Materials		aluminium
Max. revolution, mechanical [U/min]		12000
Max. starting torque [Nm]		1
Reference temperature torque [°C]		20
Shaft design		solid shaft
Shaft diameter [mm]		10
Shaft material		steel (1.4104)
Max. shaft load axial (at the shaft end) [N]		10
Max. shaft load radial (at the shaft end) [N]		20
Remarks		
Notes		discontinued article
Electrical connection		
1	L+	
2	A	
3	Screen housing	
4	B	
5	0 index	
6	0V	
Connector: 1 x M12, axial		
		
Diagrams and graphs		
Pulse diagram		
	Output A	
	Output B	
	0 index	

Article no longer available - archive entry

RV6092

Incremental encoder with solid shaft

RV-0100-I24/S

