

RO1363

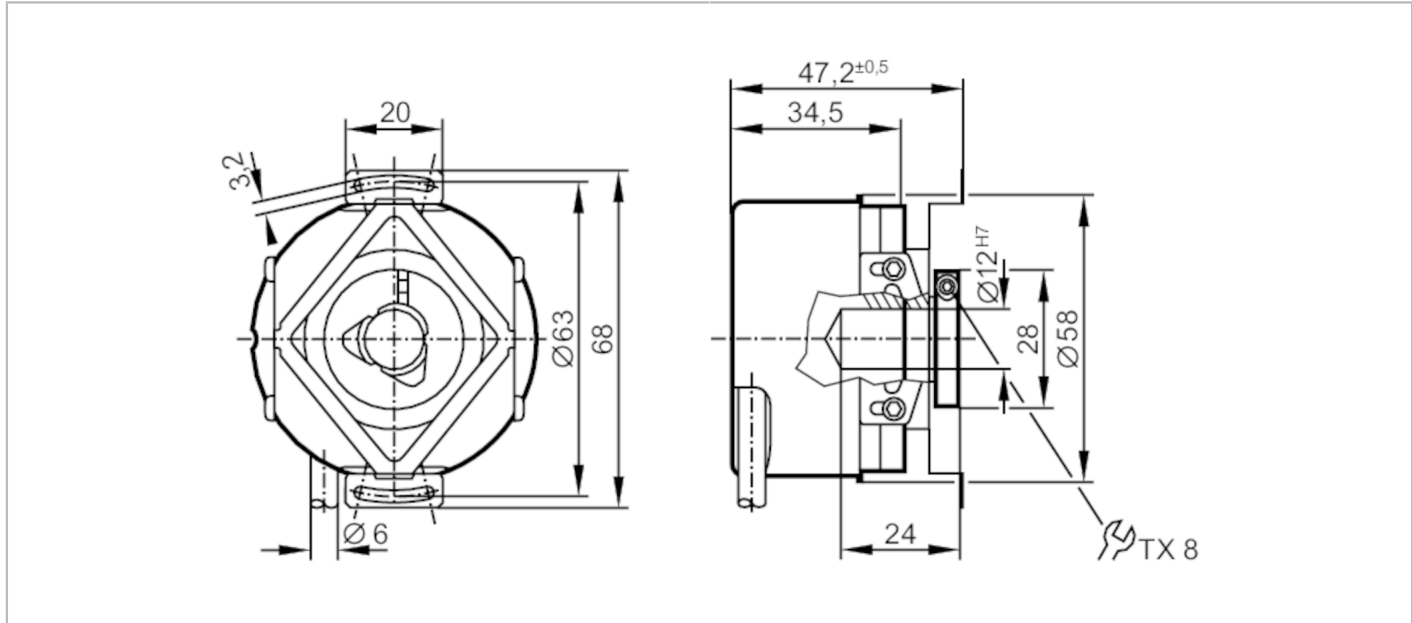


Incremental encoder with hollow shaft

RO-1024-I05/N1U

Article no longer available - archive entry

Alternative article: ROP521 + E12402 When selecting an alternative article and accessories please note that technical data may differ! – When selecting an alternative article and accessories please note that technical data may differ!



Product characteristics	
Resolution	1024 resolution
Shaft design	hollow shaft open to one side
Shaft diameter [mm]	12
Electrical data	
Operating voltage tolerance [%]	10
Operating voltage [V]	5 DC
Current consumption [mA]	< 120
Outputs	
Electrical design	TTL
Max. current load per output [mA]	20
Switching frequency [kHz]	300
Phase difference A and B [°]	90
Measuring/setting range	
Resolution	1024 resolution
Operating conditions	
Ambient temperature [°C]	-30...100
Max. relative air humidity [%]	98
Protection	IP 64; (on the housing: IP 67; on the shaft: IP 64)
Tests / approvals	
Shock resistance	200 g
Vibration resistance	30 g

RO1363



Incremental encoder with hollow shaft

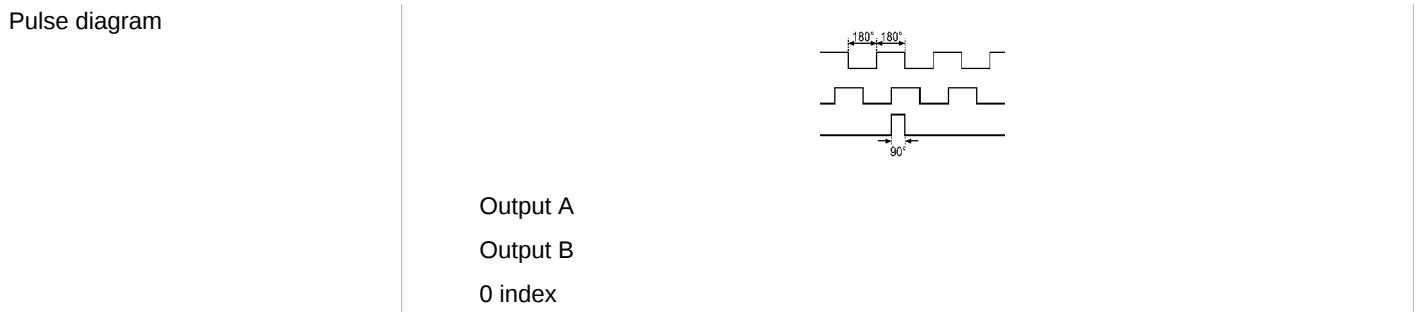
RO-1024-I05/N1U

Mechanical data	
Weight [g]	445.6
Dimensions [mm]	Ø 58 / L = 35.5
Materials	aluminium
Max. revolution, mechanical [U/min]	12000
Max. starting torque [Nm]	1
Reference temperature torque [°C]	20
Shaft design	hollow shaft open to one side
Shaft diameter [mm]	12
Shaft fit	H7
Shaft material	stainless steel
Installation depth of shaft [mm]	10
Max. axial shaft misalignment [mm]	1; (max. radial shaft alignment: ± 0,05 mm)
Remarks	
Notes	discontinued article

Electrical connection
Cable: 1 m, PUR; Maximum cable length: 100 m; radial, can also be used axially

brown	A
green	A inverted
grey	B
pink	B inverted
red	0 index
black	0 index inverted
blue	L+ sensor
white	0V sensor
brown/green	L+ (Up)
white/green	0V (Un)
lilac	failure inverted
screen	housing

Diagrams and graphs



Article no longer available - archive entry

Alternative article: ROP521 + E12402 When selecting an alternative article and accessories please note that technical data may differ! – When selecting an alternative article and accessories please note that technical data may differ!