

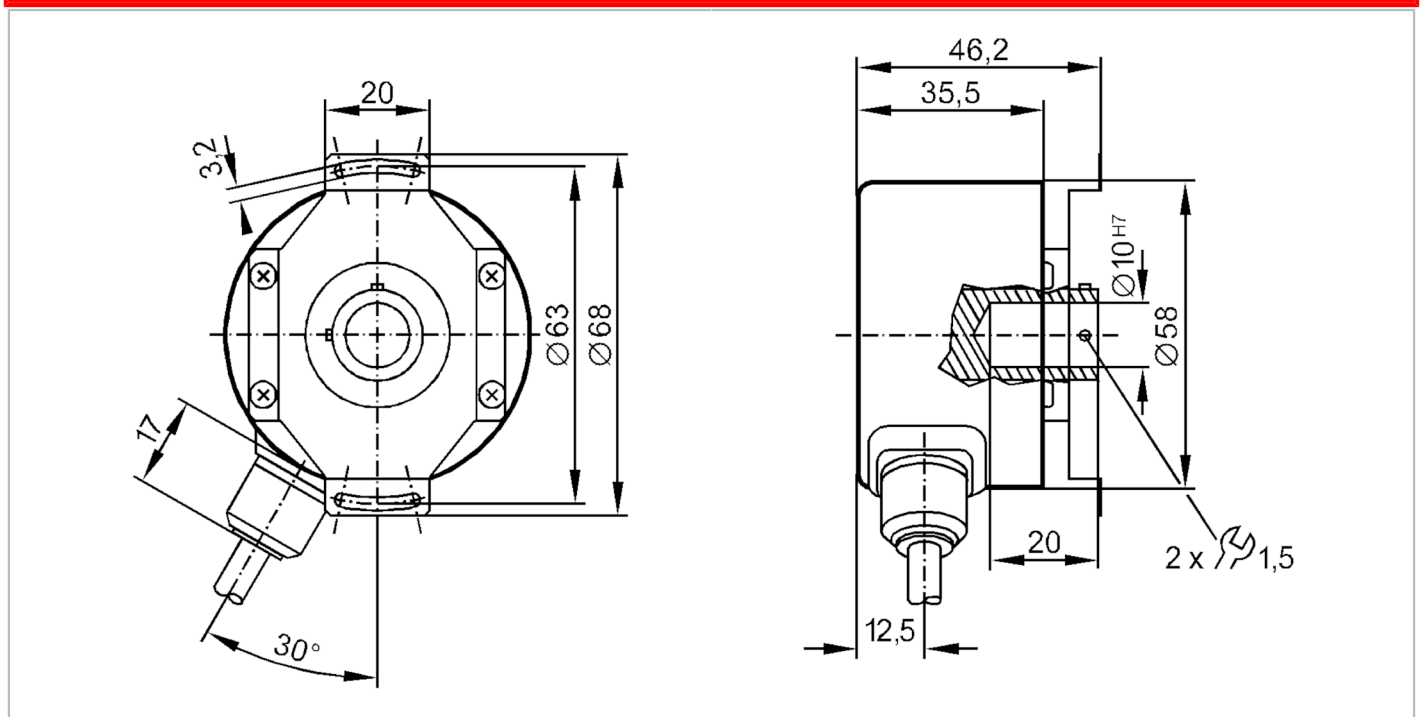
RO1357



Incremental encoder with hollow shaft

RO10000-I05/NA1

Article no longer available - archive entry



Electrical data	
Operating voltage tolerance	[%] 10
Operating voltage	[V] 5 DC
Current consumption	[mA] < 150
Outputs	
Electrical design	TTL
Max. current load per output	[mA] 20
Switching frequency	[kHz] 300
Phase difference A und B	[°] 90
Measuring/setting range	
Resolution	10000 resolution
Operating conditions	
Ambient temperature	[°C] -30...100
Storage temperature	[°C] -30...100
Max. relative air humidity	[%] 98
Protection	IP 64
Tests / approvals	
Shock resistance	100 g (6 ms)
Vibration resistance	10 g (55...2000 Hz)

RO1357



Incremental encoder with hollow shaft

RO10000-I05/NA1

Mechanical data		
Dimensions	[mm]	Ø 58 / L = 46.2
Materials		aluminium
Max. revolution, mechanical	[U/min]	12000
Max. starting torque	[Nm]	2.5
Reference temperature torque	[°C]	20
Shaft design		hollow shaft open to one side
Shaft diameter	[mm]	10
Shaft fit		H7
Shaft material		stainless steel
Installation depth of shaft	[mm]	10
Max. axial shaft misalignment	[mm]	1; (max. radial shaft alignment: ± 0,05 mm)

Electrical connection	
Cable: 10 m, PUR; radial	
brown	A
green	A inverted
grey	B
pink	B inverted
red	0 index
black	0 index inverted
blue	L+ sensor
white	0V sensor
brown/green	L+ (Up)
white/green	0V (Un)
lilac	failure inverted
screen	housing

Diagrams and graphs	
Pulse diagram	<p>Output A Output B 0 index</p>

Article no longer available - archive entry