

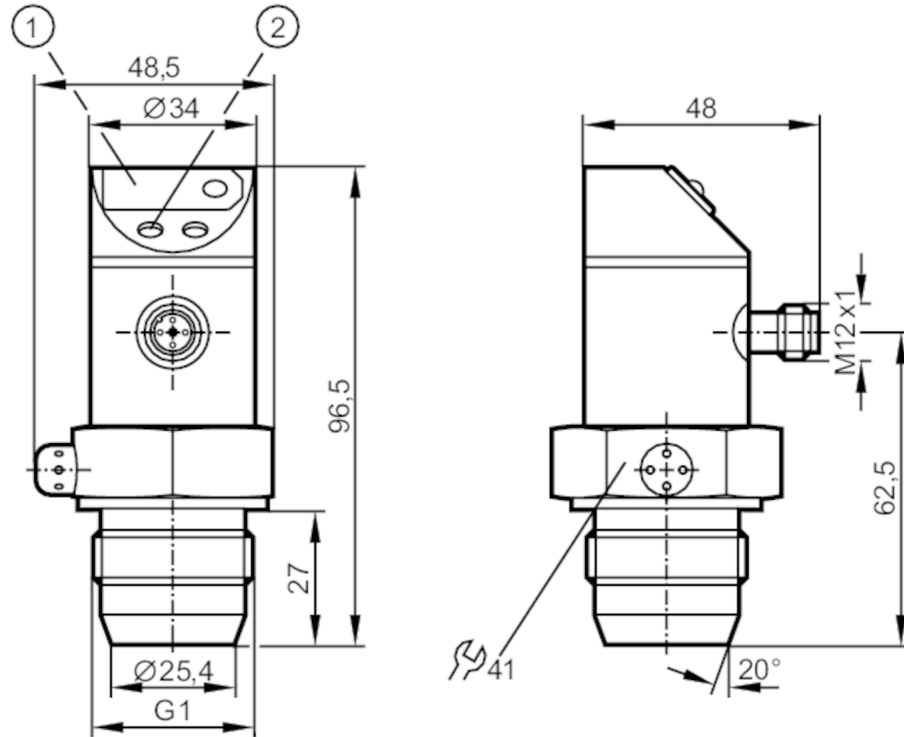
PF7653



Flush pressure sensor

PF-025-REA01-QFPKG/US/ IP

Article no longer available - archive entry



- 1 7-segment LED display
- 2 programming button



Application	
Application	hygienic systems
Installation	freely rotatable housing 350°
Media	viscous media and liquids with suspended particles; liquids and gases
Medium temperature [°C]	-25...80
Pressure rating [bar]	100
Min. bursting pressure [bar]	350
Type of pressure	relative pressure
No dead space	yes
Electrical data	
Operating voltage [V]	18...30 DC
Current consumption [mA]	< 60
Min. insulation resistance [MΩ]	100; (500 V DC)
Protection class	III
Reverse polarity protection	yes
Power-on delay time [s]	0.2
Integrated watchdog	yes

PF7653



Flush pressure sensor

PF-025-REA01-QFPKG/US/ /P

Inputs / outputs					
Number of inputs and outputs	Number of digital outputs: 2				
Outputs					
Total number of outputs	2				
Output signal	switching signal				
Electrical design	PNP				
Number of digital outputs	2				
Output function	normally open / normally closed; (parameterisable)				
Max. voltage drop switching output DC [V]	2				
Permanent current rating of switching output DC [mA]	250				
Short-circuit protection	yes				
Type of short-circuit protection	pulsed				
Overload protection	yes				
Measuring/setting range					
Measuring range [bar]	0...25				
Set point SP [bar]	0.2...25				
Reset point rP [bar]	0.1...24.8				
In steps of [bar]	0.1				
Accuracy / deviations					
Switch point accuracy [% of the final value]	< ± 1				
Repeatability [% of the final value]	< ± 0,25; (with temperature fluctuations < 10 K)				
Temperature drift per 10 K	< ± 0.3				
Response times					
Switching frequency for a given set response time of one output	<table border="1"> <tr> <td>\$Anspruchzeit (dAP) [ms]</td> <td>3, 6, 10, 17, 30, 60, 125, 250, 500</td> </tr> <tr> <td>\$Schaltfrequenz [Hz]</td> <td>170 80 50 30 16 8 4 2 1</td> </tr> </table>	\$Anspruchzeit (dAP) [ms]	3, 6, 10, 17, 30, 60, 125, 250, 500	\$Schaltfrequenz [Hz]	170 80 50 30 16 8 4 2 1
\$Anspruchzeit (dAP) [ms]	3, 6, 10, 17, 30, 60, 125, 250, 500				
\$Schaltfrequenz [Hz]	170 80 50 30 16 8 4 2 1				
Response time [ms]	at rectangular pressure characteristic; switch point (SPx) = 70 %; reset point (rPx) = 30 %				
Delay time programmable dS, dr [s]	0, 0,2,...10, 11,...50				
Software / programming					
Adjustment of the switch point	programming button				
Parameter setting options	hysteresis / window; normally open / normally closed; switch-on/switch-off delay; Damping				
Operating conditions					
Ambient temperature [°C]	-25...80				
Storage temperature [°C]	-40...100				
Protection	IP 67				

PF7653



Flush pressure sensor

PF-025-REA01-QFPKG/US/ /P

Tests / approvals		
EMC	EN 61000-4-2 ESD	4 kV CD / 8 kV AD
	EN 61000-4-3 HF radiated	10 V/m
	EN 61000-4-4 Burst	2 kV
	EN 61000-4-6 HF conducted	10 V
Shock resistance	DIN IEC 68-2-27	50 g (11 ms)
Vibration resistance	DIN IEC 68-2-6	20 g (10...2000 Hz)

Mechanical data	
Materials	EPDM/X; FKM; PA; PBT; PC; PTFE; stainless steel (1.4404 / 316L)
Materials (wetted parts)	ceramics; PTFE; stainless steel (1.4404 / 316L)
Min. pressure cycles	100 million
Process connection	threaded connection G 1 external thread

Displays / operating elements		
Display	switching status	2 x LED, red
	function display	7-segment LED display
	measured values	7-segment LED display

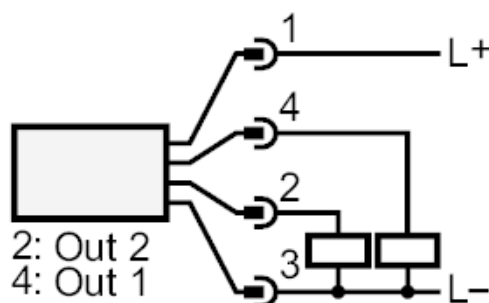
Remarks	
Pack quantity	1 pcs.

Electrical connection

Connector: 1 x M12; Contacts: gold-plated



Connection



Article no longer available - archive entry