



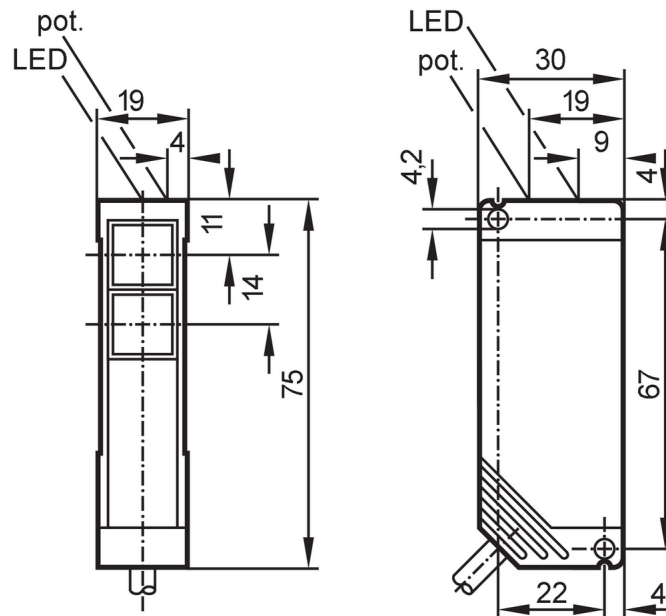
Retro-reflective sensor

OTR-FPKG

Article no longer available - archive entry

Alternative articles: O5P501

When selecting an alternative article and accessories please note that technical data may differ!



- 1 potentiometer receiver in lower lens transmitter in upper lens

Product characteristics

Type of light	infrared light
Housing	rectangular

Application

Function principle	Retro-reflective sensor
--------------------	-------------------------

Electrical data

Operating voltage	[V]	10...55 DC
Current consumption	[mA]	40; ((24 V))
Protection class		II
Reverse polarity protection		yes
Type of light		infrared light
Wave length	[nm]	880

Outputs

Electrical design		PNP
Output function		light-on/dark-on mode; (parameterisable)
Max. voltage drop switching output DC	[V]	2.5
Permanent current rating of switching output DC	[mA]	250
Switching frequency DC	[Hz]	150
Short-circuit protection		yes
Type of short-circuit protection		pulsed

OT5011



Retro-reflective sensor

OTR-FPKG

Overload protection	yes
---------------------	-----

Detection zone

Range [m]	0.15...5; (Prismatic reflector Ø 80 E20005)
Range adjustable	yes
Max. light spot diameter [mm]	262
Light spot dimensions refer to	at maximum range

Operating conditions

Ambient temperature [°C]	-25...60
Protection	IP 67

Tests / approvals

EMC	EN 60947-5-2	
	EN 55011	class B

Mechanical data

Weight [g]	0.201
Housing	rectangular
Dimensions [mm]	75 x 19 x 30
Materials	housing: PBT
Lens material	front pane:PMMA

Displays / operating elements

Display	switching status	1 x LED, yellow
	operation	1 x LED, green

Accessories

Items supplied	Angle bracket: 1, E20441 screwdrivers
----------------	--

Remarks

Pack quantity	1 pcs.
---------------	--------

Electrical connection

Cable: 2 m, PVC; 3 x 0.34 mm²

Connection



Core colours :
 BN = brown
 BU = blue
 BK = black

OT5011



Retro-reflective sensor

OTR-FPKG

Diagrams and graphs

excess gain graph

