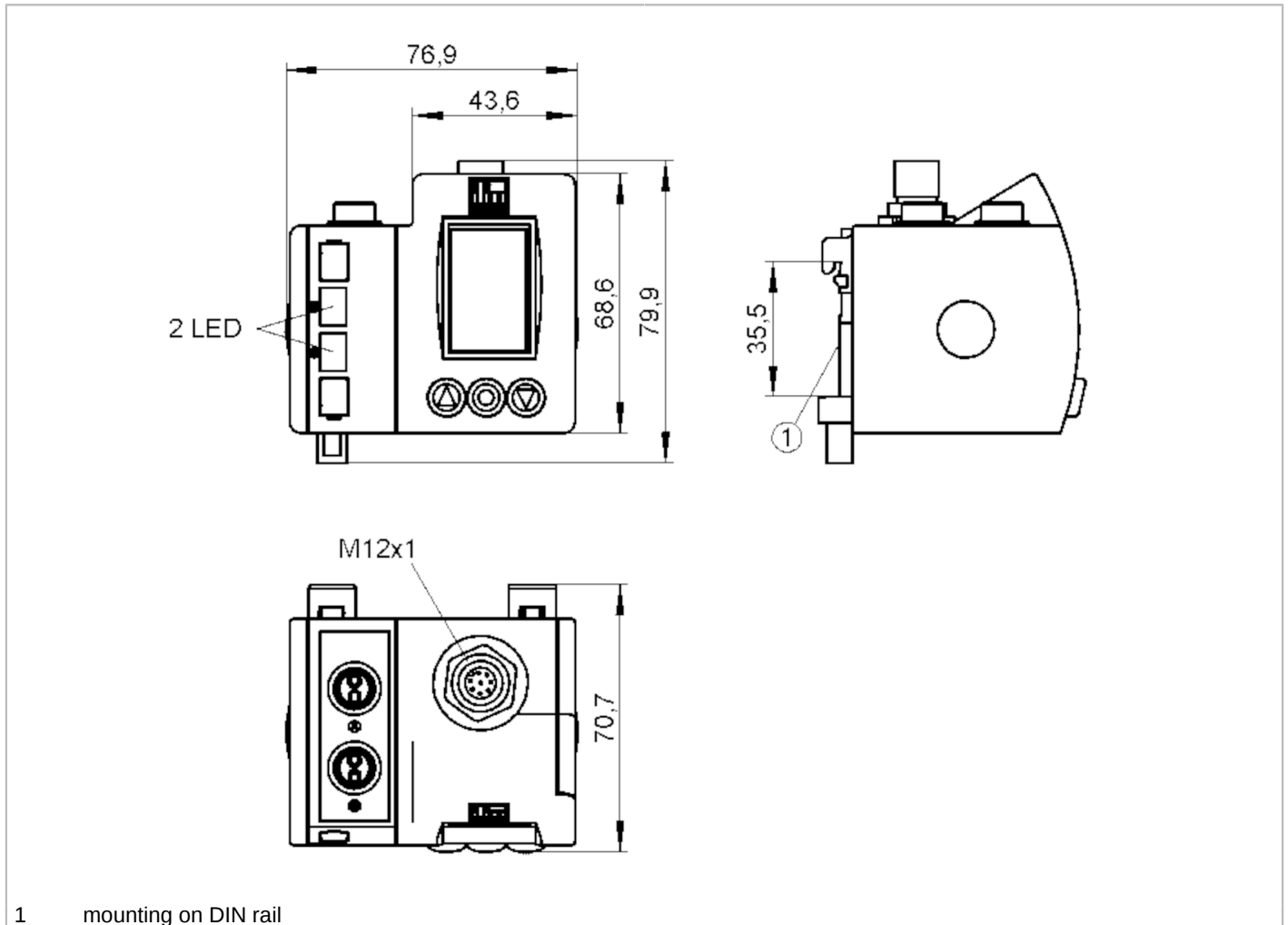




Fibre-optic amplifier

OO5-FPKG/M12/GL2



1 mounting on DIN rail



Product characteristics	
Type of light	red light
Housing	rectangular
Application	
Special feature	Function check output
Electrical data	
Operating voltage [V]	12...36 DC
Current consumption [mA]	50; ((24 V))
Max. power consumption [VA]	1.1
Protection class	III
Reverse polarity protection	yes
Type of light	red light
Wave length [nm]	630
Outputs	
Electrical design	PNP
Output function	light-on/dark-on mode; (programmable)



Fibre-optic amplifier

00F-FPKG/M12/GL2

Max. voltage drop switching output DC	[V]	2
Function check output		yes
Max. current load for function check output	[mA]	200
Permanent current rating of switching output DC	[mA]	200
Switching frequency DC	[Hz]	2700
Notes on switching frequency	[Hz]	typical
Short-circuit protection		yes
Type of short-circuit protection		pulsed
Overload protection		yes
Time function	[s]	0.001...0.1

Detection zone		
Range	[m]	< 0.4; (Through-beam sensor)
Range	[mm]	0...200; (Diffuse reflection sensor)
Range adjustable		yes

Software / programming	
Parameter setting options	automatic and manual switch point setting; logic functions AND, OR; second switch point

Operating conditions	
Ambient temperature	[°C] -20...60
Protection	IP 65

Tests / approvals		
EMC	EN 60947-5-2	
	EN 55011	class B

Mechanical data	
Weight	[g] 463
Housing	rectangular
Dimensions	[mm] 79.9 x 76.9 x 70.7
Number of channels	2
Fibre optic connection	FE-00 / FT-00
Materials	housing: ABS; display window: PMMA; LED window: SEPS; cover: diecast zinc plastic coated (PA)
Lens alignment	side lens

Displays / operating elements		
Display		full graphic LCD display, rotation of the display by 180° possible language selection (German, English, French)
	switching status	2 x LED, yellow
Electronic lock		yes

Accessories	
Items supplied	rail: 1 x 65 mm, EN 60715

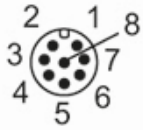
Remarks	
Remarks	operating voltage "supply class 2" according to cULus
Pack quantity	1 pcs.

Fibre-optic amplifier

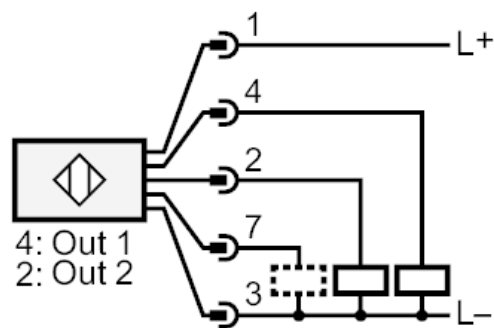
OO5-FPKG/M12/GL2

Electrical connection

Connector: 1 x M12; coding: A



Connection



7

Function check output