



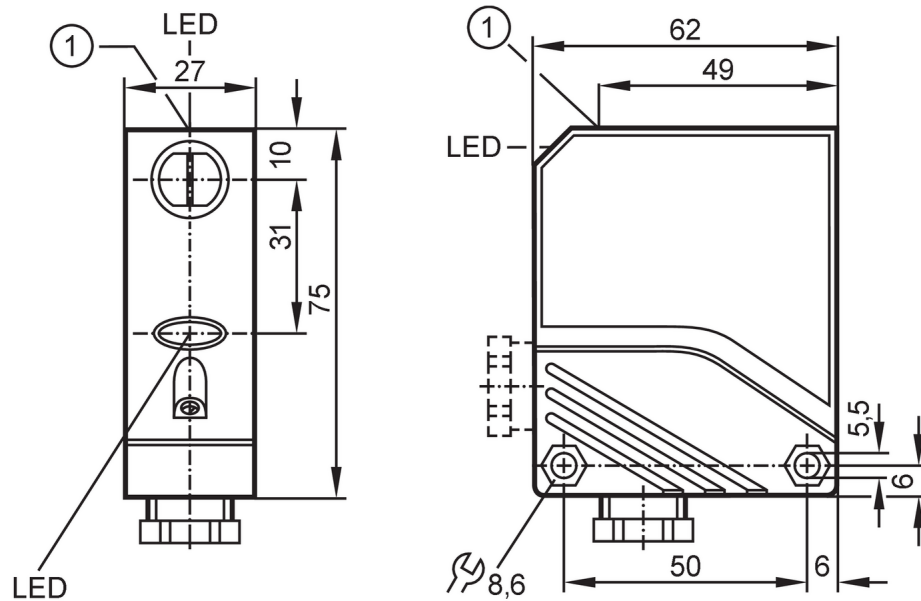
Diffuse reflection sensor

OLB-FPKG

Article no longer available - archive entry

Alternative articles: O5H500 + E11509 + E21122

When selecting an alternative article and accessories please note that technical data may differ!



1 pushbutton

Product characteristics

Type of light	infrared light
Housing	rectangular

Application

Special feature	Function check output
Function principle	Diffuse reflection sensor

Electrical data

Operating voltage	[V]	10...36 DC
Current consumption	[mA]	< 37
Protection class		II
Reverse polarity protection		yes
Type of light		infrared light
Wave length	[nm]	880

Outputs

Electrical design		PNP
Output function		light-on/dark-on mode; (parameterisable)
Max. voltage drop switching output DC	[V]	2.5
Function check output		yes
Max. voltage drop of function check output	[V]	3.5
Max. current load for function check output	[mA]	10
Permanent current rating of switching output DC	[mA]	100; (200 (...50 °C))



Diffuse reflection sensor

OLB-FPKG

Switching frequency DC	[Hz]	500
Short-circuit protection		yes
Type of short-circuit protection		pulsed
Overload protection		yes

Detection zone

Range	[mm]	1...800; (white paper 200 x 200 mm 90% remission)
Range adjustable		yes
Max. light spot diameter	[mm]	80
Light spot dimensions refer to		at maximum range

Operating conditions

Ambient temperature	[°C]	-25...80
Protection		IP 67

Tests / approvals

EMC	EN 60947-5-2	
	EN 55011	class B

Mechanical data

Housing		rectangular
Dimensions	[mm]	75 x 27 x 62
Materials		PA; PBT
Lens material		front pane:PMMA

Displays / operating elements

Display	switching status	1 x LED, yellow
	operation	1 x LED, green
	function	1 x LED, red

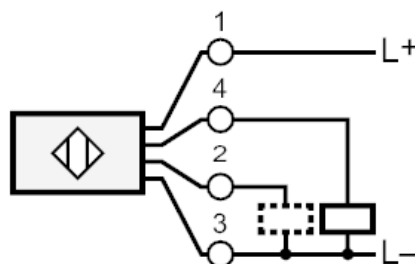
Remarks

Pack quantity		1 pcs.
---------------	--	--------

Electrical connection

terminals: ...1.5 mm²; Cable sheath: Ø 4.5...10 mm; Cable gland: M16 X 1.5

Connection



OL5026



Diffuse reflection sensor

OLB-FPKG

Diagrams and graphs

excess gain graph

