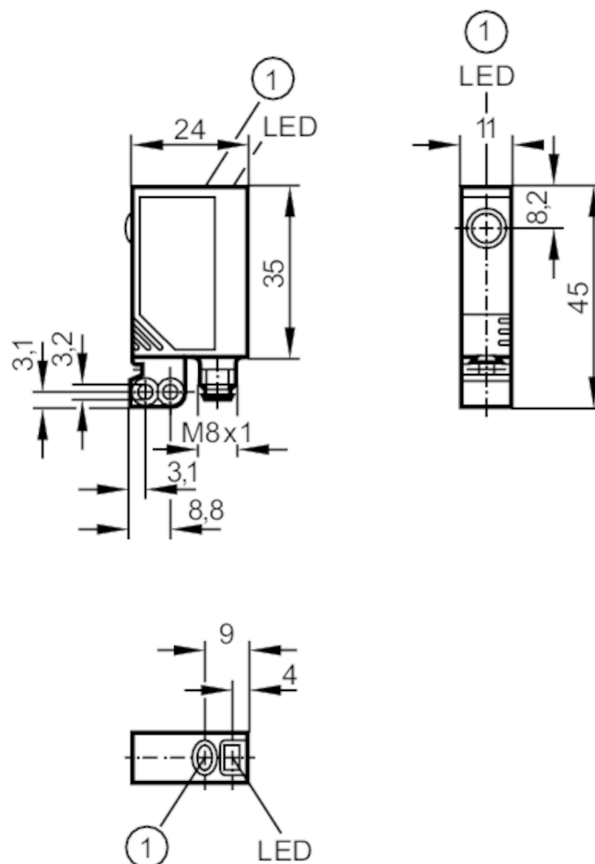




Retro-reflective sensor

OJP-FPKG/SO/AS



1 pushbutton



Application

Function principle Retro-reflective sensor

Electrical data

Operating voltage [V] 10...30 DC

Current consumption [mA] < 22

Protection class III

Reverse polarity protection yes

Type of light red light



Retro-reflective sensor

OJP-FPKG/SO/AS

Outputs		
Electrical design	PNP	
Output function	light-on/dark-on mode; (programmable)	
Max. voltage drop switching output DC [V]	2.5	
Permanent current rating of switching output DC [mA]	200	
Switching frequency DC [Hz]	2000	
Short-circuit protection	yes	
Type of short-circuit protection	pulsed	
Overload protection	yes	
Detection zone		
Range referred to prismatic reflector [m]	0...2; (Prismatic reflector Ø 80 E20005)	
Range adjustable	yes	
Max. light spot diameter [mm]	64	
Light spot dimensions refer to	at maximum range	
Polarisation filter available	yes	
Operating conditions		
Ambient temperature [°C]	-25...60	
Protection	IP 67	
Tests / approvals		
EMC	EN 60947-5-2	
MTTF [years]	854	
Mechanical data		
Weight [g]	40.4	
Housing	rectangular	
Dimensions [mm]	35 x 11 x 24	
Materials	housing: ABS; fixture: diecast zinc; LED window: SEPS; pushbutton: SEPS	
Lens material	glass	
Lens alignment	side lens	
Displays / operating elements		
Display	switching status	1 x LED, yellow
	operation	1 x LED, green
	function	1 x LED, red
Electronic lock	yes	
Accessories		
Accessories (supplied)	Basic clip	
	screws: 2 x x M3 x 16	
	spring washers: 2 x	
	Nuts: 2 x	
	Reflective tape: 1 x x 15 x 20 mm	
Remarks		
Pack quantity	1 pcs.	

Retro-reflective sensor

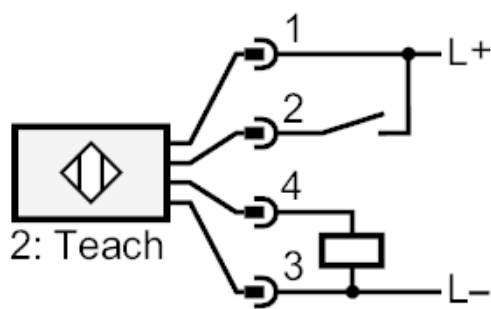
OJP-FPKG/SO/AS

Electrical connection

Connector: 1 x M8



Connection



2

Teach

OJ5075



Retro-reflective sensor

OJP-FPKG/SO/AS

Diagrams and graphs

excess gain graph

