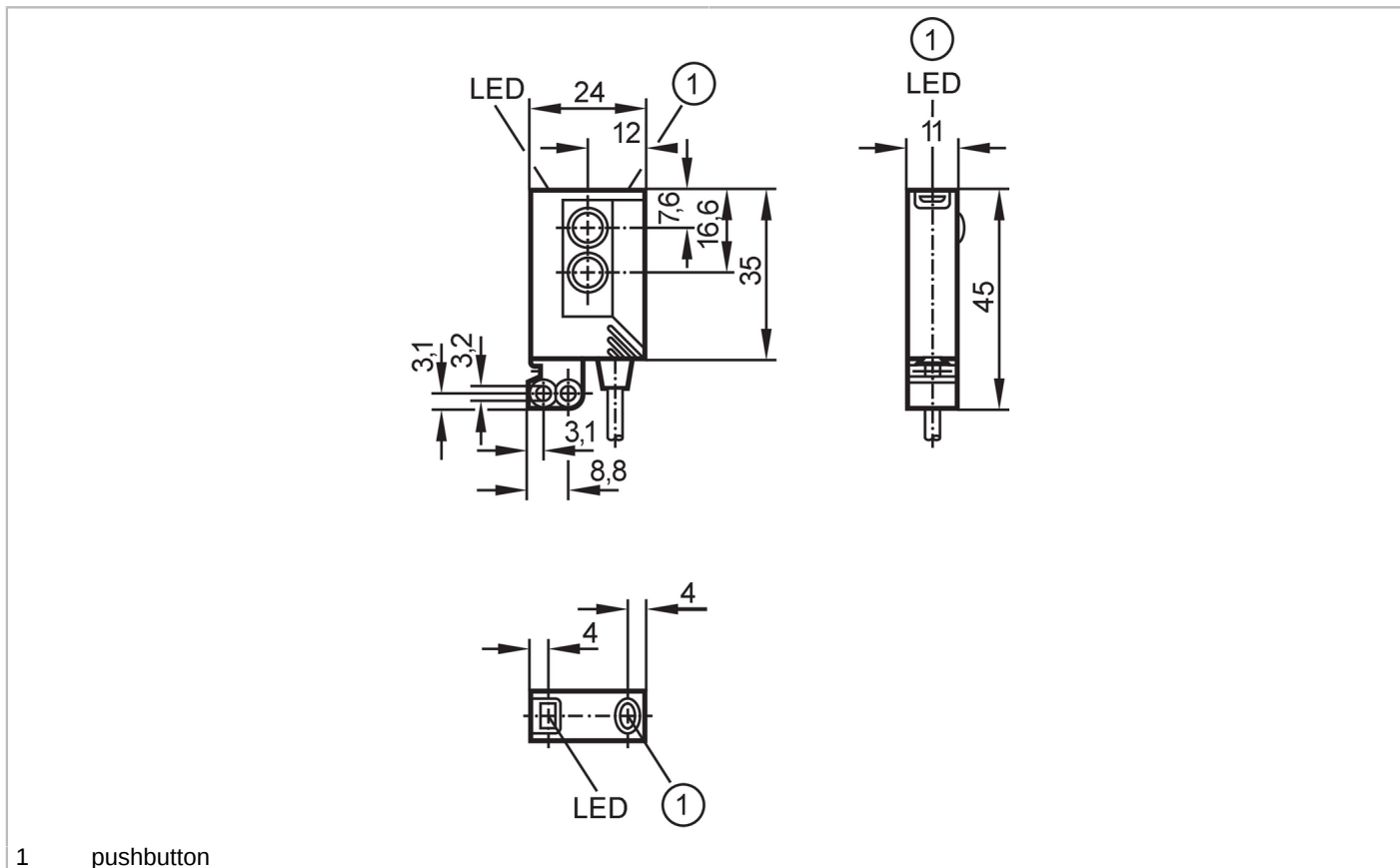


OJ5060



Diffuse reflection sensor

OJB-FPKG/FO/0,15M/US



1 pushbutton



Product characteristics

| | |
|---------------|-------------|
| Type of light | red light |
| Housing | rectangular |

Application

| | |
|--------------------|--|
| Special feature | Gold-plated contacts |
| Function principle | Diffuse reflection sensor |
| Application | Industrial applications / factory automation |

Electrical data

| | | |
|-----------------------------|------|------------|
| Operating voltage | [V] | 10...30 DC |
| Current consumption | [mA] | < 22 |
| Protection class | | III |
| Reverse polarity protection | | yes |
| Type of light | | red light |
| Wave length | [nm] | 660 |

Outputs

| | | |
|---|------|---------------------------------------|
| Electrical design | | PNP |
| Output function | | light-on/dark-on mode; (programmable) |
| Max. voltage drop switching output DC | [V] | 2.5 |
| Permanent current rating of switching output DC | [mA] | 200 |

OJ5060



Diffuse reflection sensor

OJB-FPKG/FO/0,15M/US

| | | |
|----------------------------------|------|--------|
| Switching frequency DC | [Hz] | 2000 |
| Short-circuit protection | | yes |
| Type of short-circuit protection | | pulsed |
| Overload protection | | yes |

| Detection zone | | |
|--------------------------------|------|---|
| Range | [mm] | 1...600; (white paper 200 x 200 mm 90% remission) |
| Range adjustable | | yes |
| Max. light spot diameter | [mm] | 60 |
| Light spot dimensions refer to | | at maximum range |

| Operating conditions | | |
|----------------------|------|----------|
| Ambient temperature | [°C] | -25...60 |
| Protection | | IP 67 |

| Tests / approvals | | |
|-------------------|---------|--------------|
| EMC | | EN 60947-5-2 |
| MTTF | [years] | 867 |

| Mechanical data | | |
|-----------------|------|---|
| Weight | [g] | 54.4 |
| Housing | | rectangular |
| Dimensions | [mm] | 35 x 24 x 11 |
| Materials | | housing: ABS; fixture: diecast zinc; LED window: SEPS; pushbutton: SEPS |
| Lens material | | front pane:glass |
| Lens alignment | | front lens |

| Displays / operating elements | | |
|-------------------------------|------------------|-----------------|
| Display | switching status | 1 x LED, yellow |
| | operation | 1 x LED, green |
| | function | 1 x LED, red |
| Electronic lock | | yes |

| Accessories | | |
|----------------|--|--------------------------|
| Items supplied | | Basic clip: 1, E20964 |
| | | screws: 2 x (M3 x 16 mm) |
| | | spring washers: 2 |
| | | Nuts: 2 |

| Remarks | | |
|---------------|--|---|
| Remarks | | operating voltage "supply class 2" according to cULus |
| Pack quantity | | 1 pcs. |

| Electrical connection | | |
|-----------------------|--|--|
| Cable: 0.15 m, PUR | | |

Connector: 1 x M12; coding: A; Contacts: 4, gold-plated; Moulded body: Hytrel 8068; Locking: stainless steel (316L/1.4404)



OJ5060



Diffuse reflection sensor

OJB-FPKG/FO/0,15M/US

Connection



2 Teach

Diagrams and graphs

excess gain graph

