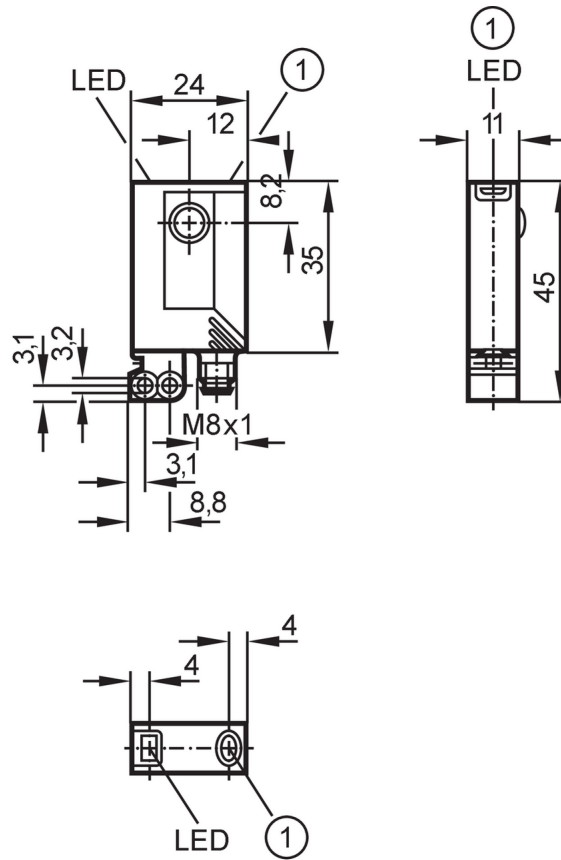


OJ5016



Through-beam laser sensor transmitter

OJSLOOKG/FO/AS



1 pushbutton



Product characteristics

Type of light	red light
Laser protection class	1
Housing	rectangular

Application

Function principle	Through-beam sensor
Application	For applications in robotics, assembly and handling technology

Electrical data

Operating voltage	[V]	10...30 DC
Current consumption	[mA]	< 12
Protection class		III
Reverse polarity protection		yes
Type of light		red light
Wave length	[nm]	650
Typ. lifetime	[h]	50000

Outputs

Overload protection	yes
---------------------	-----

Detection zone

Transmitter / receiver	transmitter
------------------------	-------------

OJ5016



Through-beam laser sensor transmitter

OJSLOOKG/FO/AS

Range	[m]	< 15
Range adjustable		no
Max. light spot diameter	[mm]	24
Light spot dimensions refer to		at maximum range

Operating conditions

Ambient temperature	[°C]	-10...60
Protection		IP 67

Tests / approvals

EMC	EN 60947-5-2	
Laser protection class		1
Notes on laser protection	Caution:	laser light
	laser class:	1
		EN / IEC60825-1:2007
		EN / IEC60825-1:2014
		Complies with 21 CFR 1040.10 except for conformance with IEC 60825-1 Ed. 3, as described in Laser Notice No. 56, dated May 8, 2019.
MTTF	[years]	918

Mechanical data

Weight	[g]	27.8
Housing		rectangular
Dimensions	[mm]	35 x 24 x 11
Materials		housing: ABS; fixture: diecast zinc; LED window: SEPS; pushbutton: SEPS
Lens material		front pane:glass
Lens alignment		front lens

Displays / operating elements

Display	operation	1 x LED, green
---------	-----------	----------------

Accessories

Items supplied	screws: 2 x (M3 x 16 mm)
	Basic clip: 1, E20964
	spring washers: 2
	Nuts: 2

Remarks

Remarks	operating voltage "supply class 2" according to cULus
Pack quantity	1 pcs.

Electrical connection

Connector: 1 x M8; coding: A; Contacts: 4



OJ5016



Through-beam laser sensor transmitter

OJSLOOKG/FO/AS

Connection

