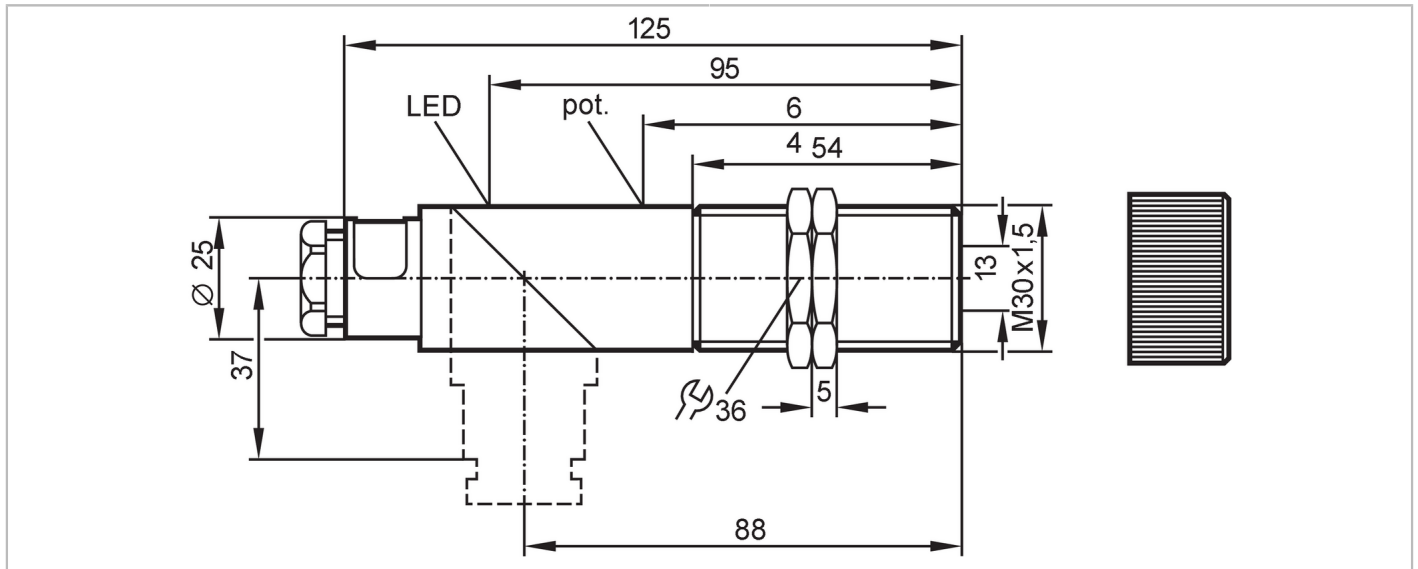




## Fibre-optic amplifier

OIF-FPKG



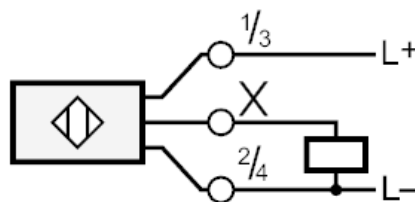
Product characteristics	
Type of light	infrared light
Housing	threaded type
Application	
Application	Industrial applications / factory automation
Electrical data	
Operating voltage [V]	10...55 DC; ("supply class 2" to cULus)
Current consumption [mA]	30; ((24 V))
Protection class	II
Reverse polarity protection	yes
Type of light	infrared light
Wave length [nm]	880
Outputs	
Electrical design	PNP
Output function	light-on/dark-on mode; (programmable)
Max. voltage drop switching output DC [V]	2.5
Permanent current rating of switching output DC [mA]	250
Switching frequency DC [Hz]	100
Short-circuit protection	yes
Type of short-circuit protection	pulsed
Overload protection	yes
Detection zone	
Range [m]	< 0.3
Range [mm]	< 70
Range adjustable	yes



## Fibre-optic amplifier

OIF-FPKG

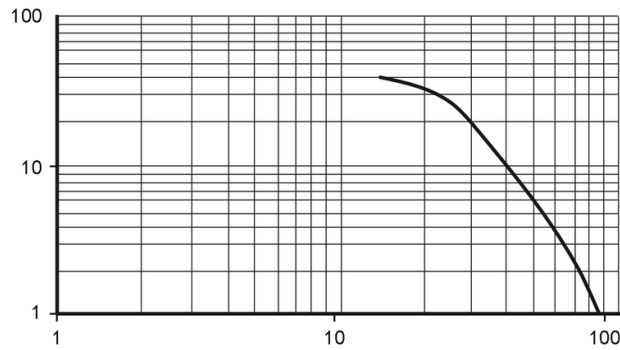
Operating conditions		
Ambient temperature	[°C]	-25...80
Protection		IP 65
Tests / approvals		
EMC		EN 60947-5-2
MTTF	[years]	659
UL approval	Ta	< 40 °C
	Enclosure type	Type 1
	voltage supply	Class 2
	UL approval no.	E031
	File number UL	E174191
Mechanical data		
Weight	[g]	125.5
Housing		threaded type
Dimensions	[mm]	M30 x 1.5 / L = 125
Thread designation		M30 x 1.5
Number of channels		1
Materials		PPO modified; PBT
Lens material		
Displays / operating elements		
Display	switching status	1 x LED, yellow
Accessories		
Items supplied		lock nuts: 2 screwdrivers
Remarks		
Remarks		light-on mode corresponds to the NC output function for through-beam fibre optics
		corresponds to the NO output function for diffuse-reflection fibre optics
Remarks		dark-on mode corresponds to the NO output function for through-beam fibre optics
		corresponds to the NC output function for diffuse-reflection fibre optics
Pack quantity		1 pcs.
Electrical connection		
terminals: ...1.5 mm <sup>2</sup> ; Cable sheath: Ø 7...13 mm; Cable gland: M20 X 1.5		
Connection		





### Diagrams and graphs

excess gain graph



x: distance [mm]

y: excess gain factor