



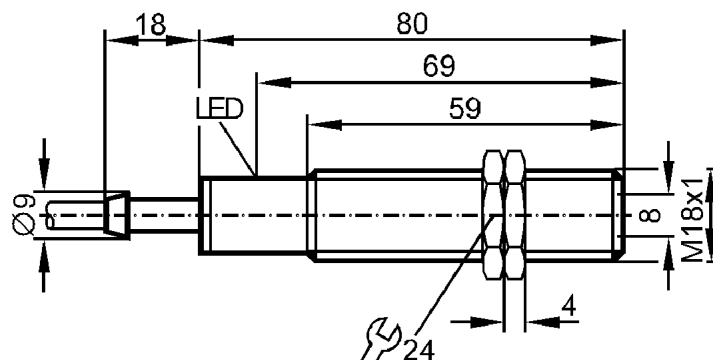
Diffuse reflection sensor

OGT-HBOA/90-250V/6M

Article no longer available - archive entry

Alternative articles: OG0035

When selecting an alternative article and accessories please note that technical data may differ!



Product characteristics

Type of light	infrared light
Housing	threaded type

Application

Function principle	Diffuse reflection sensor
--------------------	---------------------------

Electrical data

Frequency AC	[Hz]	47...63
Operating voltage	[V]	90...250 AC/DC
Protection class		II
Type of light		infrared light
Wave length	[nm]	880

Outputs

Output function		light-on mode
Max. voltage drop switching output DC	[V]	9.5
Max. voltage drop switching output AC	[V]	9.5
Minimum load current	[mA]	10
Max. leakage current	[mA]	5
Permanent current rating of switching output AC	[mA]	200

OG0017



Diffuse reflection sensor

OGT-HBOA/90-250V/6M

Permanent current rating of switching output DC	[mA]	50
Short-time current rating of switching output	[mA]	900; (10 ms / 0,5 Hz)
Switching frequency AC	[Hz]	25
Switching frequency DC	[Hz]	70
Short-circuit protection		no
Overload protection		no

Detection zone

Range	[mm]	< 100; (white paper 200 x 200 mm 90% remission)
-------	------	---

Operating conditions

Ambient temperature	[°C]	-25...80
Protection		IP 67

Tests / approvals

EMC	EN 60947-5-2	
	EN 55011	class B

Mechanical data

Housing		threaded type
Dimensions	[mm]	M18 x 1 / L = 98
Thread designation		M18 x 1
Materials		housing: brass nickel-plated
Lens material		front pane:glass

Displays / operating elements

Display	switching status	1 x LED, yellow
---------	------------------	-----------------

Accessories

Items supplied		lock nuts: 2
----------------	--	--------------

Remarks

Pack quantity		1 pcs.
---------------	--	--------

OG0017



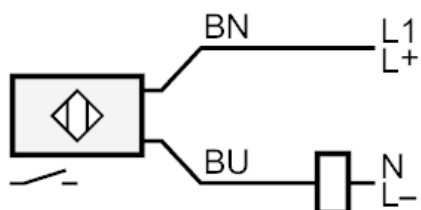
Diffuse reflection sensor

OGT-HBOA/90-250V/6M

Electrical connection

Cable: 6 m, PVC; 2 x 0.5 mm²

Connection



BN = Core colours :
brown
BU = blue