



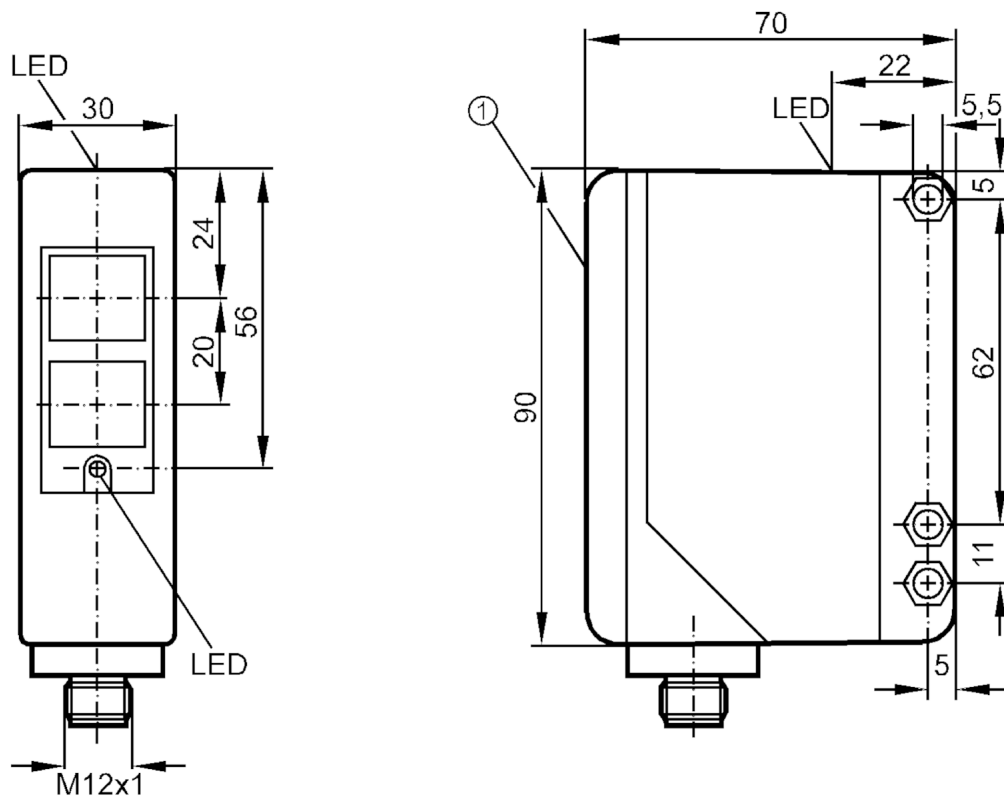
Retro-reflective sensor

OAP-FPKG/US

Article no longer available - archive entry

Alternative articles: O4P500

When selecting an alternative article and accessories please note that technical data may differ!



- 1 selection switch and potentiometer under cover
receiver in upper lens
transmitter in lower lens

Product characteristics

Type of light	red light
Housing	rectangular

Application

Special feature	polarisation filter; Function check output
Function principle	Retro-reflective sensor

Electrical data

Operating voltage	[V]	10...36 DC
Current consumption	[mA]	< 50
Reverse polarity protection		yes
Type of light		red light
Wave length	[nm]	660

Outputs

Electrical design	PNP
Output function	light-on/dark-on mode; (parameterisable)

OA5118



Retro-reflective sensor

OAP-FPKG/US

Function check output		yes
Max. current load for function check output [mA]		10
Permanent current rating of switching output DC [mA]		250
Max. current load in dual output mode [mA]		100
Switching frequency DC [Hz]		300
Short-circuit protection		yes
Type of short-circuit protection		pulsed
Overload protection		yes

Detection zone		
Range [m]		< 8; (Prismatic reflector Ø 80 E20005)
Range adjustable		yes
Polarisation filter available		yes

Operating conditions		
Ambient temperature [°C]		-25...60
Protection		IP 65

Tests / approvals		
EMC	EN 60947-5-2	
	EN 55011	class B

Mechanical data		
Weight [g]		0.296
Housing		rectangular
Dimensions [mm]		90 x 30 x 70
Materials		housing: PPO modified
Lens material		front pane:PMMA

Displays / operating elements		
Display	switching status	1 x LED, yellow
	operation	1 x LED, green
	function	1 x LED, red

Accessories		
Items supplied		Angle bracket screwdrivers

Remarks		
Pack quantity		1 pcs.

Electrical connection

Connector: 1 x M12; coding: A



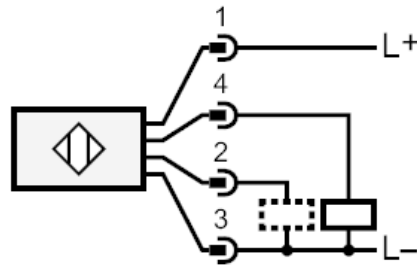
OA5118



Retro-reflective sensor

OAP-FPKG/US

Connection



2

Function check output