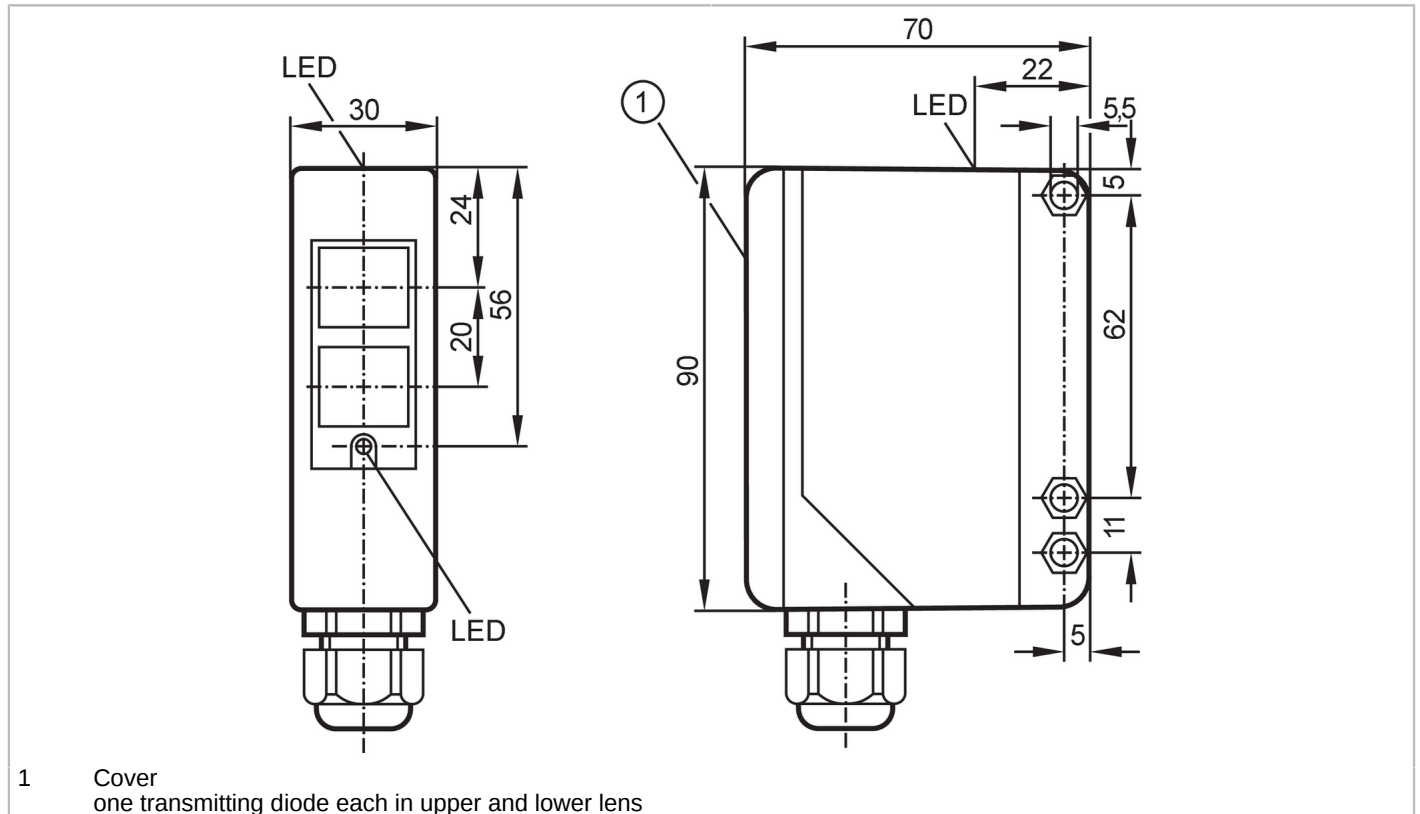


OA5101



Through-beam sensor transmitter

OAS-00KG



Product characteristics		
Type of light		infrared light
Housing		rectangular
Application		
Function principle		Through-beam sensor
Application		Industrial applications / factory automation
Electrical data		
Operating voltage	[V]	10...36 DC
Current consumption	[mA]	< 50
Protection class		II
Reverse polarity protection		yes
Type of light		infrared light
Wave length	[nm]	880
Outputs		
Short-circuit protection		yes
Type of short-circuit protection		pulsed
Overload protection		yes
Detection zone		
Transmitter / receiver		transmitter
Range	[m]	< 50
Range adjustable		no

OA5101



Through-beam sensor transmitter

OAS-00KG

Max. light spot diameter [mm]	1500
Light spot dimensions refer to	at maximum range

Operating conditions

Ambient temperature [°C]	-25...60
Protection	IP 65

Tests / approvals

EMC	EN 60947-5-2	
	EN 55011	class B
MTTF [years]		1367
UL approval	Ta	< 40 °C
	Enclosure type	Type 1
	voltage supply	Limited Voltage/Current
	UL approval no.	E029
	File number UL	E174191

Mechanical data

Weight [g]	274
Housing	rectangular
Dimensions [mm]	90 x 30 x 70
Materials	housing: PPO modified
Lens material	front pane:PMMA
Lens alignment	side lens

Displays / operating elements

Display	operation	1 x LED, green
---------	-----------	----------------

Accessories

Items supplied	Angle bracket: 1, E20514
----------------	--------------------------

Remarks

Pack quantity	1 pcs.
---------------	--------

Electrical connection

terminals: ...1.5 mm²; Cable sheath: Ø 4.5...10 mm; Cable gland: M16 X 1.5

Connection

