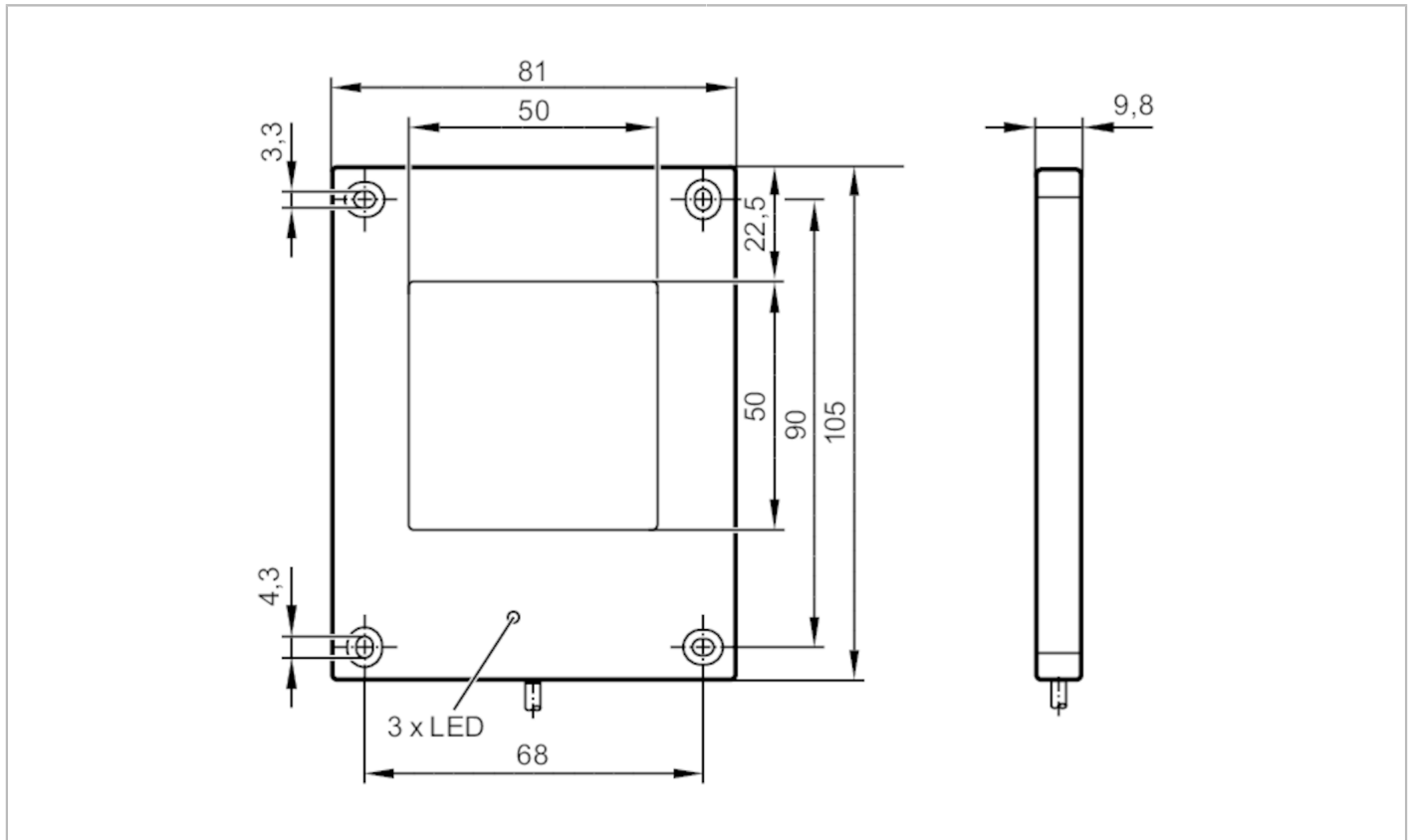




## External illumination

BACKLIGHT 50X50 RT/0,3M/US



### Product characteristics

Type of light red light

### Application

Special feature Gold-plated contacts

Illuminated field [mm] 50 x 50

Design backlight

Type of operation Permanent light or pulse operation

### Electrical data

Operating voltage tolerance [%] -10...10

Operating voltage [V] 24 DC

Current consumption [mA] < 205

Protection class III

Reverse polarity protection yes

Type of light red light

Wave length [nm] 617

### Inputs

Trigger 5...24 V

### Operating conditions

Ambient temperature [°C] -10...50

Protection IP 54

# O2D942



## External illumination

BACKLIGHT 50X50 RT/0,3M/US

Overheat protection yes; (> 50 °C)

### Tests / approvals

Photobiological safety exempt group; (EN 62471)

MTTF [years] 308

### Mechanical data

Weight [g] 264.4

Dimensions [mm] 105 x 81 x 9.8

Materials aluminium

Lens material glass

### Displays / operating elements

Display illumination status 1 x LED, yellow

operation 1 x LED, green

excess temperature / overload 1 x LED, red

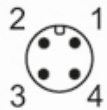
### Remarks

Pack quantity 1 pcs.

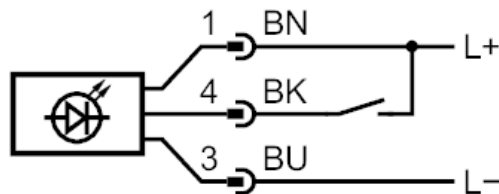
### Electrical connection

Cable: 0.30 m, PUR

Connector: 1 x M12; coding: A; Contacts: gold-plated



### Connection



- 1 L +
  - 3 L -
  - 4 trigger
- Core colours :
- BK = black
  - BN = brown
  - BU = blue