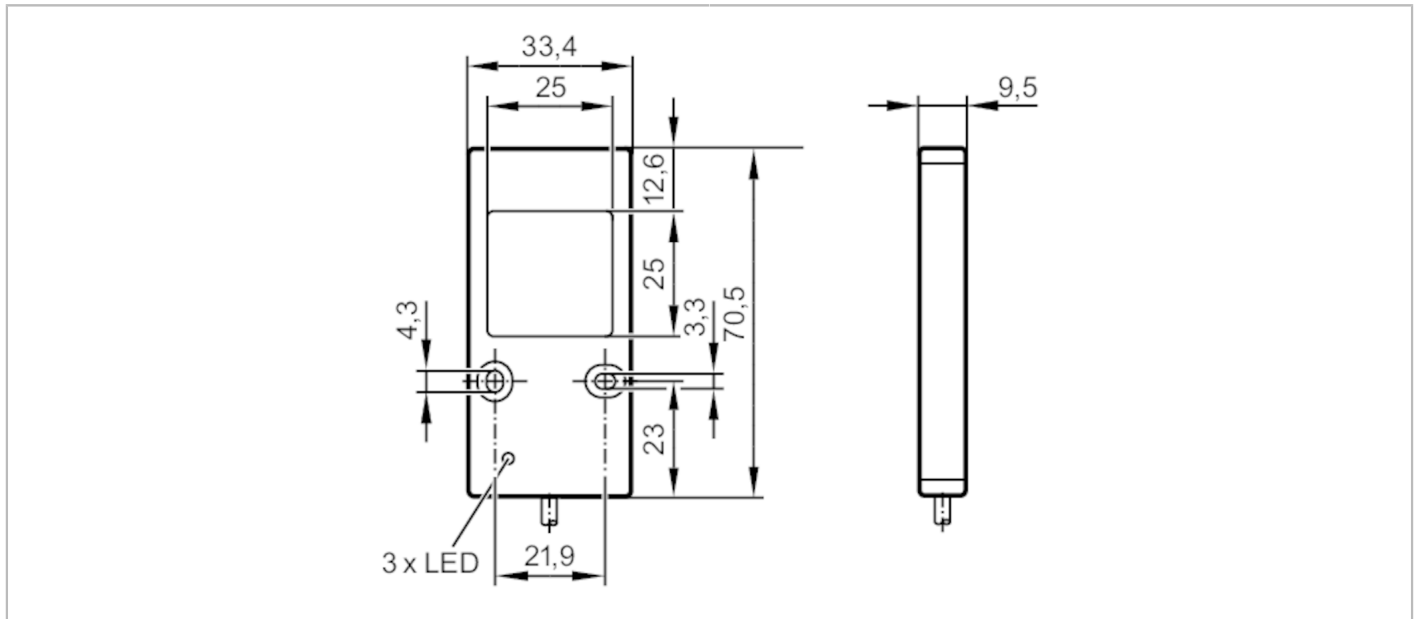


O2D940



External illumination

BACKLIGHT 25X25 RT/0,3M/US



Product characteristics

Type of light	red light
---------------	-----------

Application

Special feature	Gold-plated contacts
Illuminated field [mm]	25 x 25
Design	backlight
Type of operation	Permanent light or pulse operation

Electrical data

Operating voltage tolerance [%]	-10...10
Operating voltage [V]	24 DC
Current consumption [mA]	< 80
Protection class	III
Type of light	red light
Wave length [nm]	617

Inputs

Trigger	5...24 V
---------	----------

Operating conditions

Ambient temperature [°C]	-10...50
Protection	IP 54
Overheat protection	yes; (> 50 °C)

Tests / approvals

Photobiological safety	exempt group; (EN 62471)
MTTF [years]	310

Mechanical data

Weight [g]	162.6
Dimensions [mm]	70.5 x 33.4 x 9.5

O2D940



External illumination

BACKLIGHT 25X25 RT/0,3M/US

Materials	aluminium
Lens material	glass

Displays / operating elements

Display	illumination status	1 x LED, yellow
	operation	1 x LED, green
	excess temperature / overload	1 x LED, red

Remarks

Pack quantity	1 pcs.
---------------	--------

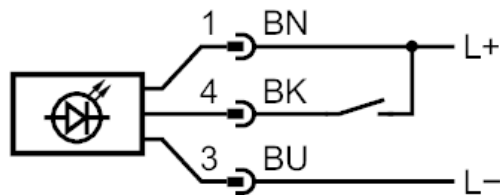
Electrical connection

Cable: 0.30 m, PUR

Connector: 1 x M12; coding: A; Contacts: gold-plated



Connection



- 1 L +
 - 3 L -
 - 4 trigger
- Core colours :
- BK = black
 - BN = brown
 - BU = blue