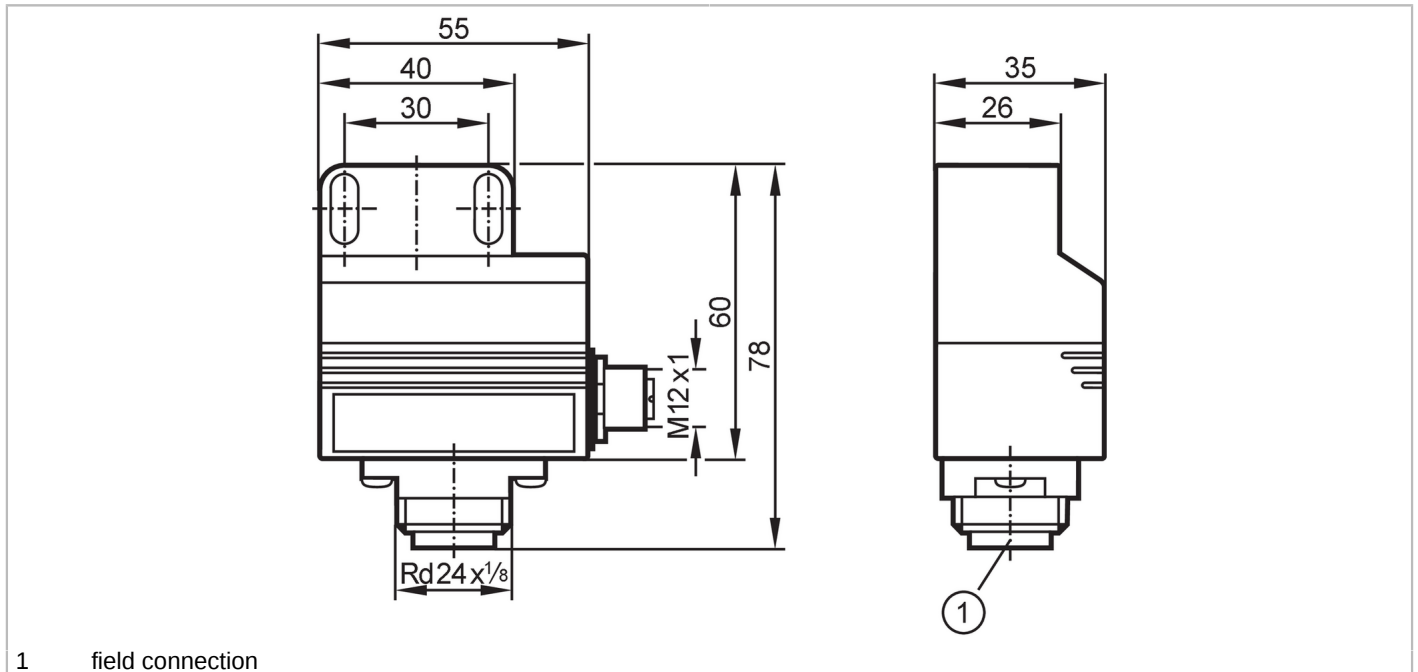


N95001



Dual inductive NAMUR sensor for valve actuators

IND2004DN/T1/1D/2G



1 field connection



Product characteristics	
Electrical design	NAMUR
Output function	2 x normally closed
Sensing range [mm]	4
Housing	rectangular
Dimensions [mm]	40 x 26 x 60
Application	
Application	for actuators using standard ISO 5211 (VDI/VDE) mounting
Electrical data	
Connection to switching amplifiers	yes
Switching amplifiers	connection to certified intrinsically safe circuits with the max. values: U = 15 V / I = 50 mA / P = 120 mW
Nominal voltage DC [V]	8.2; (1kΩ)
Current consumption [mA]	< 1; (disabled; conductive: > 2,2)
Protection class	III
Outputs	
Electrical design	NAMUR
Output function	2 x normally closed
Switching frequency DC [Hz]	250
Detection zone	
Sensing range [mm]	4
Real sensing range Sr [mm]	4 ± 10 %
Accuracy / deviations	
Correction factor	steel: 1 / stainless steel: 0.7 / brass: 0.5 / aluminium: 0.4 / copper: 0.3

N95001



Dual inductive NAMUR sensor for valve actuators

IND2004DN/T1/1D/2G

Hysteresis	[% of Sr]	1...15
Switch point drift	[% of Sr]	-10...10

Operating conditions

Ambient temperature	[°C]	-20...70
Protection		IP 67

Tests / approvals

Approval	BVS 03 ATEX E131; BVS 04 ATEX E153; IECEx BVS 06.0003	
ATEX marking	Ex I 2G Ex ia IIC T6 Gb Ta: -20...70°C Ex II 1D Ex ia IIIB T 90°C Da Ta: -20...70°C Ex II 2G Ex ia IIC T5 Gb Ta: -20...80°C Ex II 1D Ex ia IIIB T 100°C Da Ta: -20...80°C	
EMC	EN 60947-5-6	
Shock/vibration resistance	30 g (11 ms) / 10-55 Hz (1 mm)	
MTTF	[years]	1232

Safety classification

Max. internal capacitance	[nF]	150; (per intrinsically safe circuit)
Max. internal inductance	[μH]	150; (per intrinsically safe circuit)

Mechanical data

Weight	[g]	175
Housing		rectangular
Mounting		non-flush mountable
Dimensions	[mm]	40 x 26 x 60
Materials		housing: PBT; cover: PC

Displays / operating elements

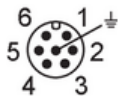
Display	switching status	2 x LED, yellow
---------	------------------	-----------------

Remarks

Remarks	solenoid valve circuit Ex-i: connection to certified intrinsically safe circuits with the max. values: $U = 28 \text{ V DC} / P = 2 \text{ W}$	
Pack quantity	1 pcs.	

Electrical connection - plug

Connector: Rd24; coding: A



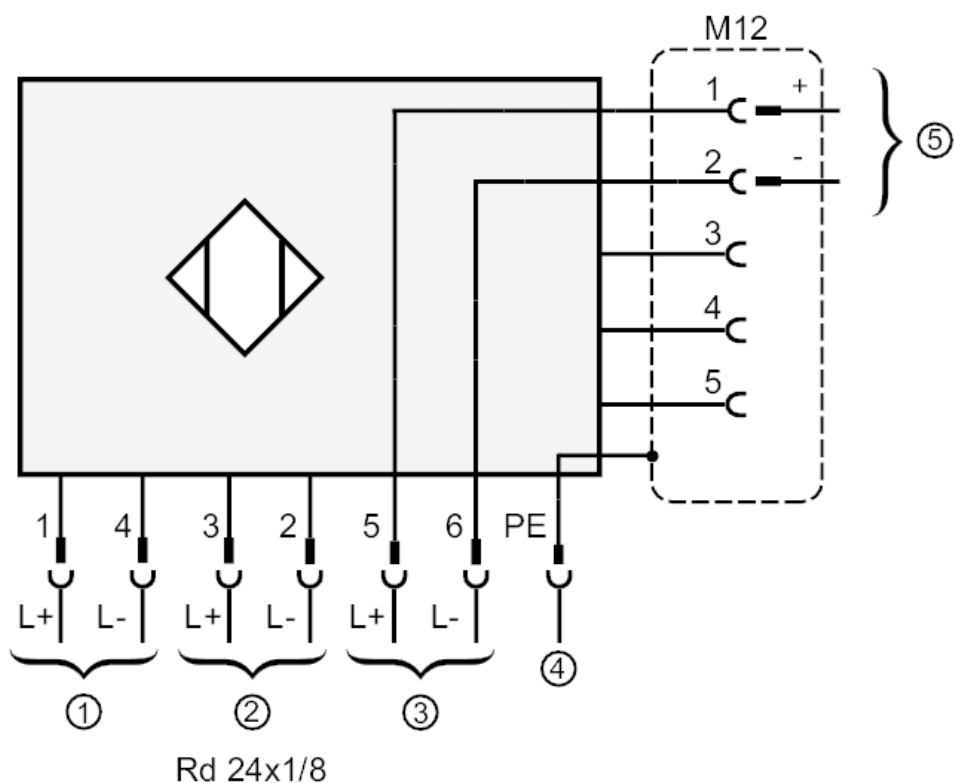
N95001



Dual inductive NAMUR sensor for valve actuators

IND2004DN/T1/1D/2G

Connection



- 1 = sensor 1
- 2 = sensor 2
- 3 = solenoid valve Ex-i
- 4 = potential equalisation of plug housing Connector M12
- 5 = solenoid valve Ex-i

Electrical connection - socket

Connector: 1 x M12; coding: A

