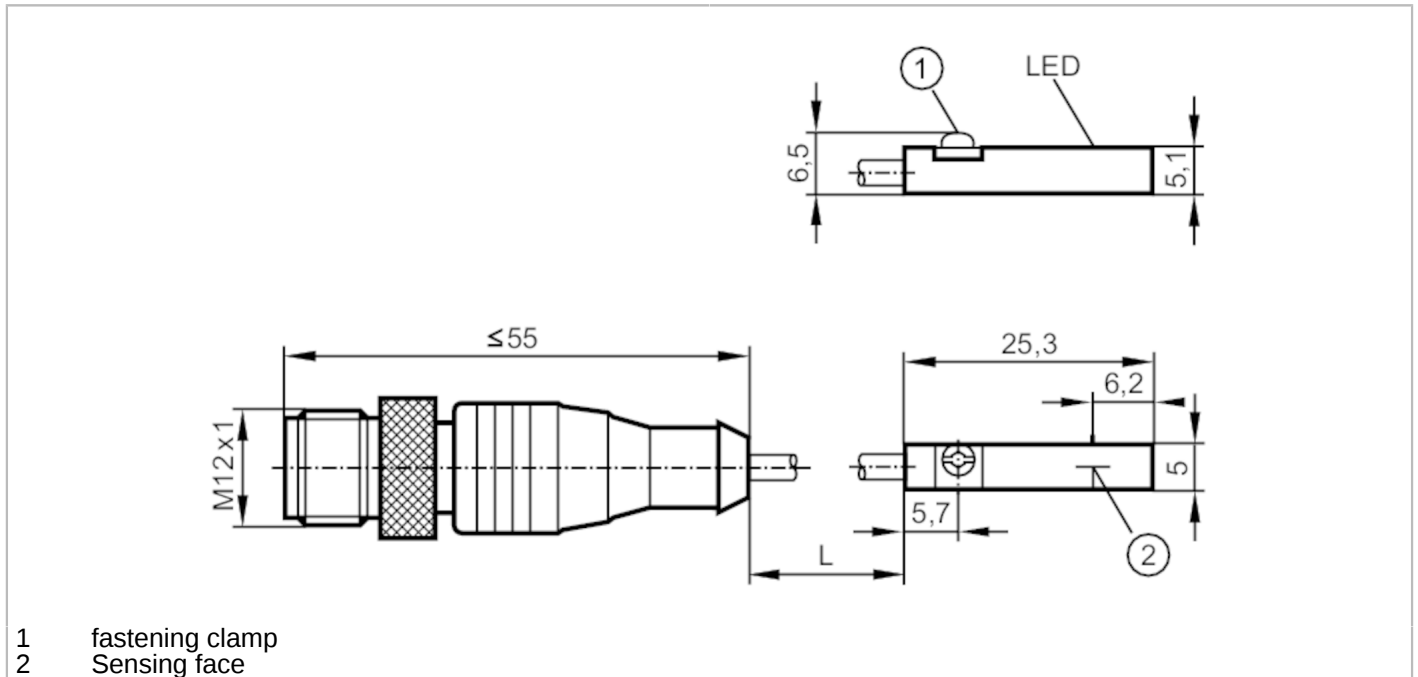


MK5108



T-slot cylinder sensor

MKT3028BBPKG/G/0,3M/ZH/US



- 1 fastening clamp
- 2 Sensing face



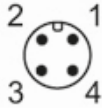
Electrical data		
Operating voltage	[V]	10...30 DC
Current consumption	[mA]	< 10
Protection class		III
Reverse polarity protection		yes
Max. power-on delay time	[ms]	30
Outputs		
Electrical design		PNP
Output function		normally open
Max. voltage drop switching output DC	[V]	2.5
Permanent current rating of switching output DC	[mA]	200
Switching frequency DC	[Hz]	10000
Short-circuit protection		yes
Overload protection		yes
Detection zone		
Response sensitivity	[mT]	2.8
Travel speed	[m/s]	> 10
Accuracy / deviations		
Hysteresis	[mm]	< 1.5
Repeatability	[mm]	< 0.2
Operating conditions		
Ambient temperature	[°C]	-25...85
Protection		IP 65; IP 67

MK5108



T-slot cylinder sensor

MKT3028BBPKG/G/0,3M/ZH/US

Tests / approvals		
EMC	EN 61000-4-2 ESD	- CD / 8 kV AD
	EN 61000-4-3 HF radiated	10 V/m
	EN 61000-4-4 Burst	2 kV
	EN 61000-4-6 HF conducted	10 V
	EN 55011	class B
MTTF	[years]	3694
UL approval	UL Approval no.	C003
Mechanical data		
Weight	[g]	21
Mounting		flush mountable
Type of mounting		fastening clamp with combined slot / hexagon socket, width across flats 1.5
Cylinder type		T-slot cylinders
Dimensions	[mm]	25 x 5 x 6.5
Materials		housing: PA; fastening clamp: stainless steel
Displays / operating elements		
Display	switching status	1 x LED, yellow
Accessories		
Accessories (supplied)		rubber placeholder: 1 Cable clip: 1
Remarks		
Remarks		operating voltage "supply class 2" according to cULus; enclosure type 1
Pack quantity		1 pcs.
Electrical connection - plug		
Cable: 0.3 m, PUR		
Connector: 1 x M12; Locking: knurled nut, rotatable		
		

MK5108

T-slot cylinder sensor

MKT3028BBPKG/G/0,3M/ZH/US



Connection

