

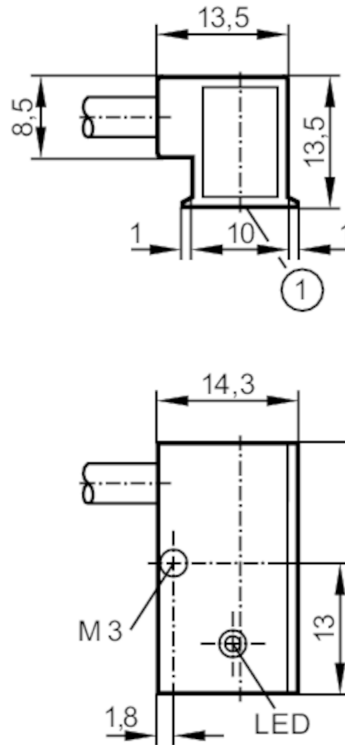
# MK5043



## T-slot cylinder sensor

MKT3000-ANKG

Article no longer available - archive entry



1 Sensing face



### Electrical data

Operating voltage	[V]	10...30 DC
Current consumption	[mA]	< 10
Reverse polarity protection		yes
Max. power-on delay time	[ms]	2

### Outputs

Electrical design		NPN
Output function		normally open
Max. voltage drop switching output DC	[V]	2
Permanent current rating of switching output DC	[mA]	300
Switching frequency DC	[Hz]	5000
Short-circuit protection		yes
Type of short-circuit protection		pulsed
Overload protection		yes

### Detection zone

Response sensitivity	[mT]	2
Travel speed	[m/s]	< 5

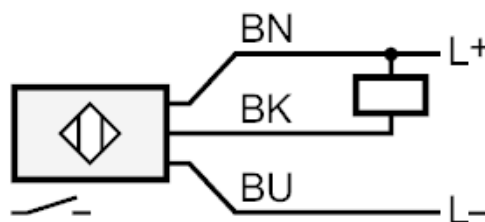
# MK5043



## T-slot cylinder sensor

MKT3000-ANKG

Accuracy / deviations		
Hysteresis	[mm]	1
Repeatability	[mm]	0.1
Operating conditions		
Ambient temperature	[°C]	-25...75
Protection		IP 67
Tests / approvals		
EMC	EN 60947-5-2	
Shock/vibration resistance	30 g (11 ms) / 10-55 Hz (1 mm)	
Mechanical data		
Sensing face		front
Cylinder type		trapezoidal slot cylinders
Dimensions	[mm]	14 x 12 x 26
Materials		aluminium; plastics
Displays / operating elements		
Display	switching status	1 x LED, yellow
Remarks		
Pack quantity	1 pcs.	
Electrical connection		
Cable: 2 m, PUR / PVC; 3 x 0.25 mm <sup>2</sup>		
Connection		



Core colours :

BN = brown  
BU = blue  
BK = black

Article no longer available - archive entry