

# MK5017



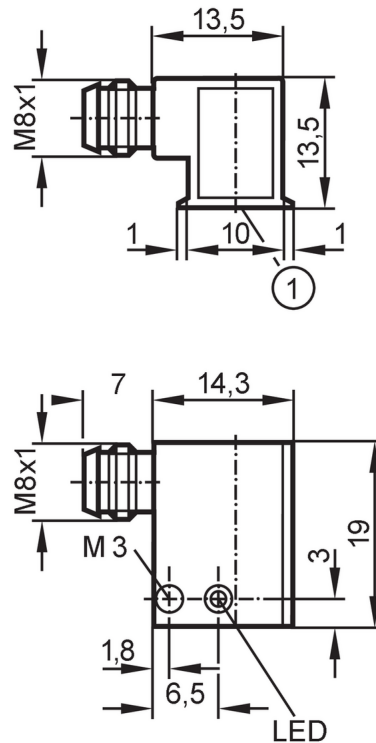
## T-slot cylinder sensor

MKT3000-BPKG/AS-510-TPS

Article no longer available - archive entry

Alternative articles: MK5106 + E11796

When selecting an alternative article and accessories please note that technical data may differ!



1 Sensing face



### Product characteristics

Electrical design	PNP
Output function	normally open
Dimensions [mm]	14 x 12 x 19

### Electrical data

Operating voltage [V]	10...30 DC
Current consumption [mA]	< 10
Reverse polarity protection	yes
Max. power-on delay time [ms]	2

### Outputs

Electrical design	PNP
Output function	normally open
Max. voltage drop switching output DC [V]	2
Permanent current rating of switching output DC [mA]	300
Switching frequency DC [Hz]	5000
Short-circuit protection	yes

# MK5017



## T-slot cylinder sensor

MKT3000-BPKG/AS-510-TPS

Type of short-circuit protection	pulsed
Overload protection	yes

Detection zone	
Response sensitivity [mT]	2
Travel speed [m/s]	< 5

Accuracy / deviations	
Hysteresis [mm]	1
Repeatability [mm]	0.1

Operating conditions	
Ambient temperature [°C]	-25...75
Protection	IP 67

Tests / approvals	
EMC	EN 60947-5-2
Shock/vibration resistance	30 g (11 ms) / 10-55 Hz (1 mm)

Mechanical data	
Sensing face	front
Cylinder type	trapezoidal slot cylinders
Dimensions [mm]	14 x 12 x 19
Materials	aluminium; plastics

Displays / operating elements		
Display	switching status	1 x LED, yellow

Remarks	
Pack quantity	1 pcs.

### Electrical connection - plug

Connector: 1 x M8; coding: A; Contacts: 3



### Connection

