



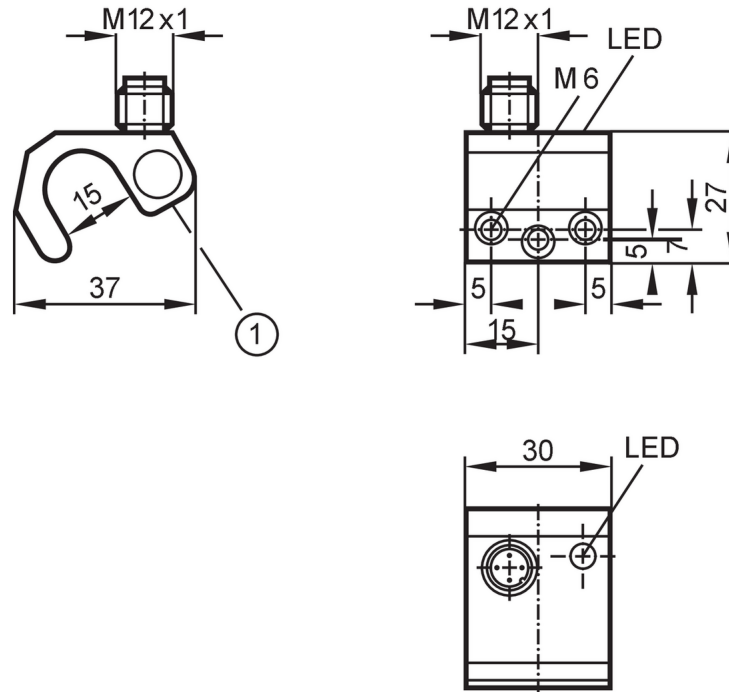
Cylinder sensor for integrated profile cylinders

MKP3000-BPKG/US-100-DPS

Article no longer available - archive entry

Alternative articles: MK5108 + E11799

When selecting an alternative article and accessories please note that technical data may differ!



1 Sensing face



Product characteristics

Electrical design	PNP
Output function	normally open
Dimensions [mm]	37 x 30 x 27

Electrical data

Operating voltage [V]	10...30 DC
Current consumption [mA]	< 10
Reverse polarity protection	yes
Max. power-on delay time [ms]	2

Outputs

Electrical design	PNP
Output function	normally open
Max. voltage drop switching output DC [V]	2
Permanent current rating of switching output DC [mA]	300
Switching frequency DC [Hz]	5000
Short-circuit protection	yes
Type of short-circuit protection	pulsed

MK5011



Cylinder sensor for integrated profile cylinders

MKP3000-BPKG/US-100-DPS

Overload protection		yes
Detection zone		
Response sensitivity	[mT]	3
Travel speed	[m/s]	< 5
Accuracy / deviations		
Hysteresis	[mm]	1
Repeatability	[mm]	0.1
Operating conditions		
Ambient temperature	[°C]	-25...75
Protection		IP 67
Tests / approvals		
EMC	EN 60947-5-2	
Shock/vibration resistance		30 g (11 ms) / 10-55 Hz (1 mm)
Mechanical data		
Sensing face		front
Cylinder type		integrated profile cylinders
Dimensions	[mm]	37 x 30 x 27
Materials		aluminium; plastics
Displays / operating elements		
Display	switching status	1 x LED, yellow
Remarks		
Pack quantity		1 pcs.
Electrical connection - plug		

Connector: 1 x M12; coding: A; Contacts: 4



Connection

