

# MK5010

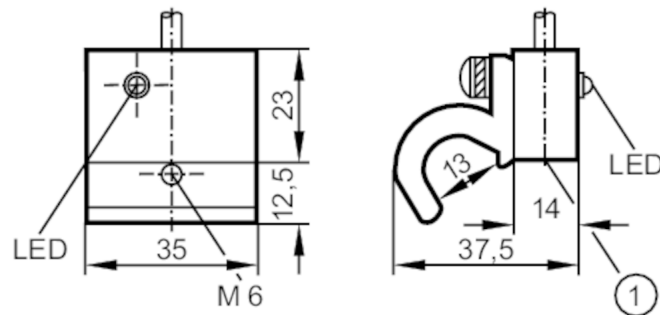


## Cylinder sensor for tie-rod cylinder

MKZ3000-BPKG

Article no longer available - archive entry

replaced by: MK5115 + E11799



1 Sensing face



### Electrical data

Operating voltage	[V]	10...30 DC
Current consumption	[mA]	< 10
Reverse polarity protection		yes
Max. power-on delay time	[ms]	2

### Outputs

Electrical design		PNP
Output function		normally open
Max. voltage drop switching output DC	[V]	2
Permanent current rating of switching output DC	[mA]	300
Switching frequency DC	[Hz]	5000
Short-circuit protection		yes
Type of short-circuit protection		pulsed
Overload protection		yes

### Detection zone

Response sensitivity	[mT]	3
Travel speed	[m/s]	< 5

### Accuracy / deviations

Hysteresis	[mm]	1
Repeatability	[mm]	0.1

### Operating conditions

Ambient temperature	[°C]	-25...75
Protection		IP 67

### Tests / approvals

EMC		EN 60947-5-2
Shock/vibration resistance		30 g (11 ms) / 10-55 Hz (1 mm)

# MK5010



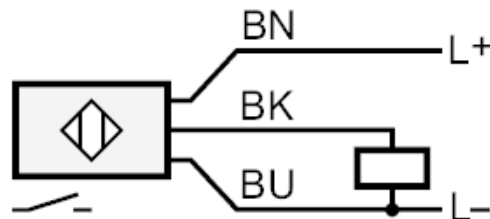
## Cylinder sensor for tie-rod cylinder

MKZ3000-BPKG

Mechanical data		
Sensing face		centred
Cylinder type		tie rod cylinders
Dimensions [mm]		37.5 x 35 x 35.5
Materials		housing: plastics; mounting adapter: aluminium
Displays / operating elements		
Display	switching status	1 x LED, yellow
Remarks		
Pack quantity		1 pcs.

Electrical connection		
Cable: 2 m, PUR / PVC; 3 x 0.25 mm <sup>2</sup>		

### Connection



	Core colours :
BN =	brown
BU =	blue
BK =	black

Article no longer available - archive entry

replaced by: MK5115 + E11799