

KN5100



Capacitive sensor

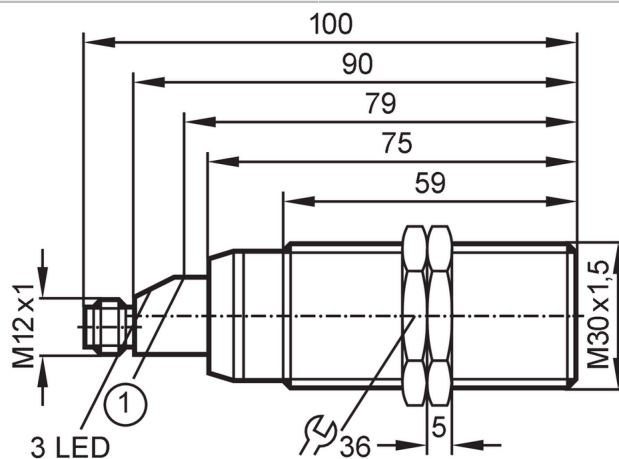
KNM30BSAFPKG/US-100-DPX

Article no longer available - archive entry

Alternative articles: KI5085

When selecting an alternative article and accessories please note that technical data may differ!

Attention: the programming has changed!



1 Programming button



Product characteristics

Electrical design	PNP
Output function	normally open / closed; (selectable)
Housing	Threaded type
Dimensions [mm]	M30 x 1.5 / L = 100

Application

Special feature	gold-plated contacts; Function check output
Installation	flush mounting in tank wall
Media	dry bulk material
Medium temperature [°C]	-25...80

Electrical data

Operating voltage [V]	10...36 DC
Current consumption [mA]	30; (24 V)
Protection class	II
Reverse polarity protection	yes

Outputs

Electrical design	PNP
Output function	normally open / closed; (selectable)
Max. voltage drop switching output DC [V]	2.5
Function check output	yes
Max. voltage drop of function check output [V]	3.5

KN5100



Capacitive sensor

KNM30BSAFPKG/US-100-DPX

Max. current load for function check output [mA]	10
Permanent current rating of switching output DC [mA]	250
Switching frequency DC [Hz]	5
Short-circuit protection	yes
Type of short-circuit protection	yes (non-latching)
Overload protection	yes

Operating conditions

Ambient temperature [°C]	-25...80
Protection	IP 67

Tests / approvals

EMC	EN 60947-5-2
-----	--------------

Mechanical data

Housing	Threaded type
Mounting	flush mountable
Dimensions [mm]	M30 x 1.5 / L = 100
Thread designation	M30 x 1.5
Material	brass white bronze coated; PBT; PVC

Displays / operating elements

Display	Switching status	1 x LED, yellow
	Power	1 x LED, green
	Function	1 x LED, red

Accessories

Items supplied	lock nuts: 2
----------------	--------------

Remarks

Pack quantity	1 pcs.
---------------	--------

KN5100

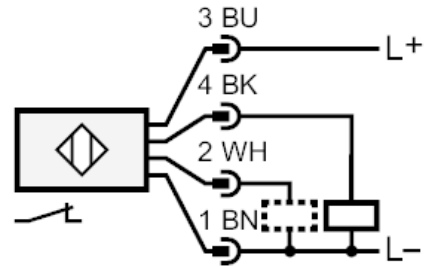
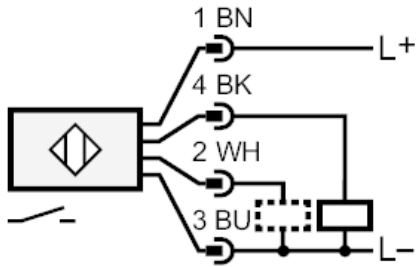


Capacitive sensor

KNM30BSAFPKG/US-100-DPX

Electrical connection - plug

Connector: 1 x M12; coding: A; Contacts: gold-plated



2: Function check output programming wire