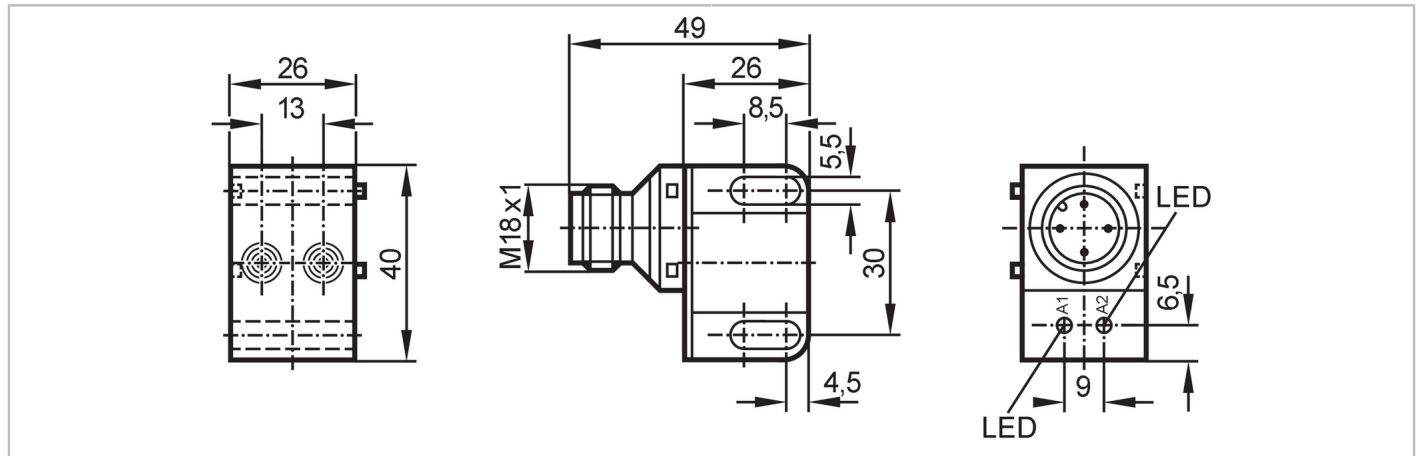


IN5285



Dual inductive sensor for valve actuators

IND3004DBPKG/BS-200-K



Product characteristics	
Electrical design	PNP
Output function	2 x normally open
Sensing range [mm]	4
Housing	rectangular
Dimensions [mm]	40 x 26 x 26
Application	
Application	position sensor for valve actuators
Electrical data	
Operating voltage [V]	10...30 DC
Current consumption [mA]	15; (24 V)
Protection class	II
Reverse polarity protection	yes
Outputs	
Electrical design	PNP
Output function	2 x normally open
Max. voltage drop switching output DC [V]	2.5
Permanent current rating of switching output DC [mA]	200
Switching frequency DC [Hz]	1300
Short-circuit protection	yes
Type of short-circuit protection	pulsed
Overload protection	yes
Detection zone	
Sensing range [mm]	4
Real sensing range S_r [mm]	$4 \pm 10\%$
Operating distance [mm]	0...3.25
Accuracy / deviations	
Correction factor	steel: 1 / stainless steel: 0.7 / brass: 0.4 / aluminium: 0.3 / copper: 0.2

IN5285



Dual inductive sensor for valve actuators

IND3004DBPKG/BS-200-K

Hysteresis	[% of Sr]	1...15
Switch point drift	[% of Sr]	-10...10

Operating conditions

Ambient temperature	[°C]	-20...80
Protection		IP 67

Tests / approvals

EMC	EN 60947-5-2	
	EN 55011	class B
MTTF	[years]	1064
UL approval	Ta	0...40 °C
	Enclosure type	Type 1
	File number UL	E174191

Mechanical data

Weight	[g]	53.5
Housing		rectangular
Mounting		non-flush mountable
Dimensions	[mm]	40 x 26 x 26
Materials		PBT; PC

Displays / operating elements

Display	switching status	2 x LED, yellow
---------	------------------	-----------------

Remarks

Pack quantity		1 pcs.
---------------	--	--------

Electrical connection - plug

Connector: 1 x M18; coding: A



Connection

