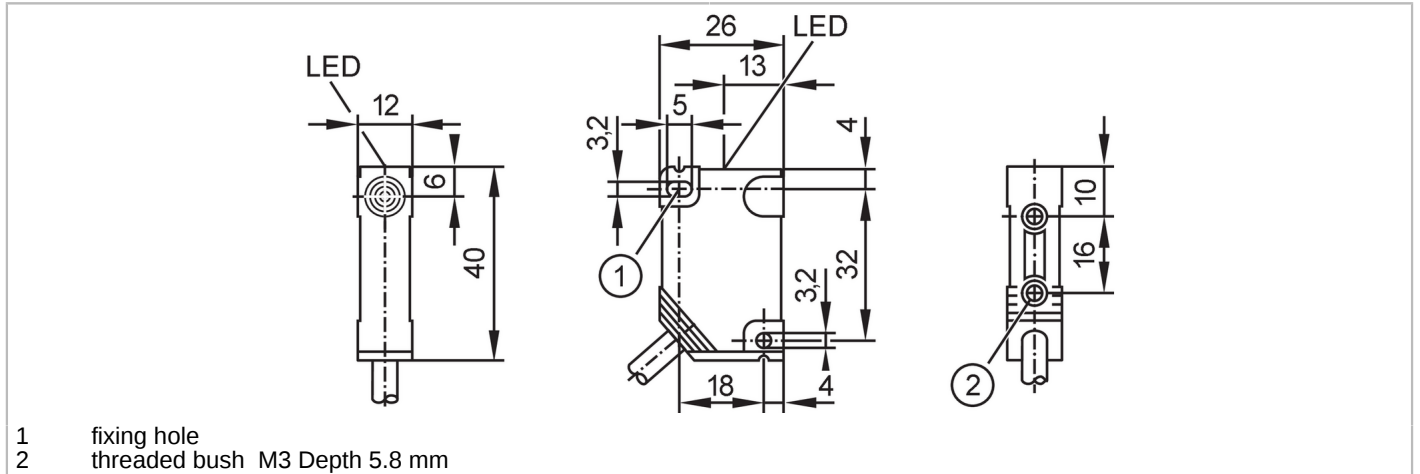


# IN5125



## Inductive sensor

IN-3002-ANKG



Product characteristics	
Electrical design	NPN
Output function	normally open
Sensing range [mm]	2
Housing	rectangular
Dimensions [mm]	40 x 12 x 26
Electrical data	
Operating voltage [V]	10...36 DC
Current consumption [mA]	15; (24 V)
Protection class	II
Reverse polarity protection	yes
Outputs	
Electrical design	NPN
Output function	normally open
Max. voltage drop switching output DC [V]	2.5
Permanent current rating of switching output DC [mA]	250
Switching frequency DC [Hz]	1400
Short-circuit protection	yes
Type of short-circuit protection	pulsed
Overload protection	yes
Detection zone	
Sensing range [mm]	2
Real sensing range Sr [mm]	2 ± 10 %
Operating distance [mm]	0...1.6
Accuracy / deviations	
Correction factor	steel: 1 / stainless steel: 0.7 / brass: 0.4 / aluminium: 0.3 / copper: 0.2
Hysteresis [% of Sr]	1...15

# IN5125



## Inductive sensor

IN-3002-ANKG

Switch point drift	[% of Sr]	-10...10
--------------------	-----------	----------

### Operating conditions

Ambient temperature	[°C]	-25...80
---------------------	------	----------

Protection		IP 67
------------	--	-------

### Tests / approvals

EMC		EN 60947-5-2
-----	--	--------------

MTTF	[years]	1781
------	---------	------

### Mechanical data

Weight	[g]	112.7
--------	-----	-------

Housing		rectangular
---------	--	-------------

Mounting		flush mountable
----------	--	-----------------

Dimensions	[mm]	40 x 12 x 26
------------	------	--------------

Materials		housing: PBT
-----------	--	--------------

### Fixing hole

Tightening torque	[Nm]	< 0.5
-------------------	------	-------

### Threaded bush

Tightening torque	[Nm]	< 1.2; (when brass insert in contact with counterpart)
-------------------	------	--

### Displays / operating elements

Display	switching status	1 x LED, yellow
---------	------------------	-----------------

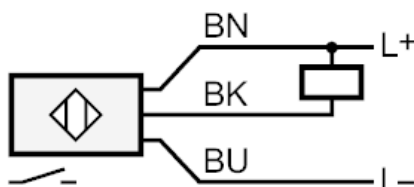
### Remarks

Pack quantity		1 pcs.
---------------	--	--------

### Electrical connection

Cable: 2 m, PVC; 3 x 0.5 mm<sup>2</sup>

### Connection



	Core colours :
BN =	brown
BU =	blue
BK =	black