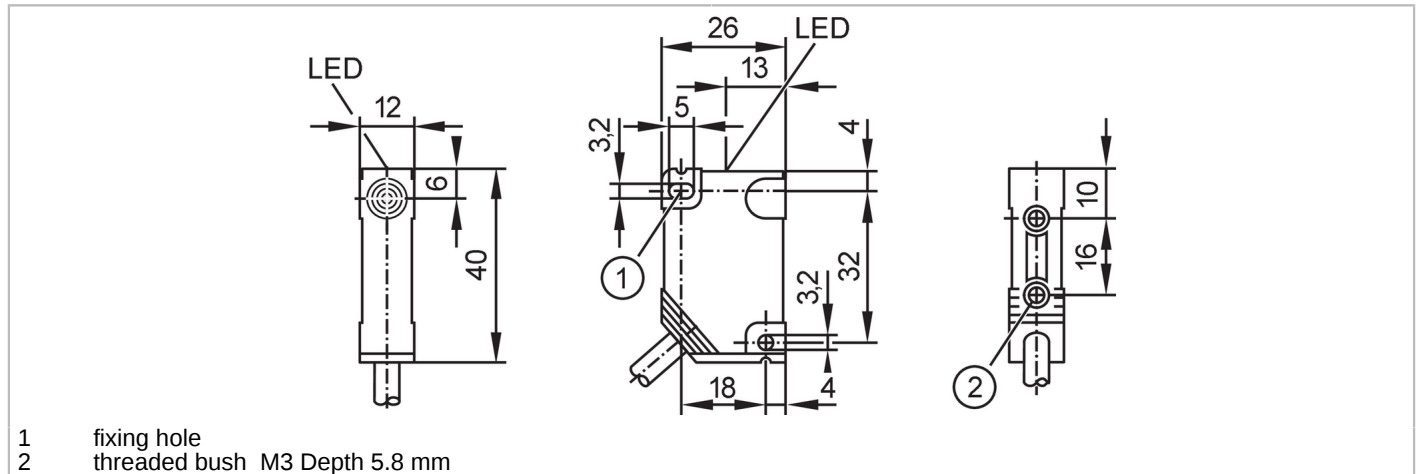




Inductive sensor

IN-2004-BBOA



Product characteristics	
Output function	normally closed
Sensing range [mm]	4
Housing	rectangular
Dimensions [mm]	40 x 12 x 26
Electrical data	
Operating voltage [V]	20...250 AC/DC
Protection class	II
Reverse polarity protection	yes
Outputs	
Output function	normally closed
Max. voltage drop switching output DC [V]	6
Max. voltage drop switching output AC [V]	6.7
Minimum load current [mA]	5
Max. leakage current [mA]	2.0 (250 V AC) / 1.3 (110 V AC) / 0.8 (24 V DC)
Permanent current rating of switching output AC [mA]	250; (350 (...50 °C))
Permanent current rating of switching output DC [mA]	100
Short-time current rating of switching output [mA]	2200; (50 ms / 1 Hz)
Switching frequency AC [Hz]	25
Switching frequency DC [Hz]	50
Short-circuit proof	no
Overload protection	no
Detection zone	
Sensing range [mm]	4
Real sensing range S_r [mm]	$4 \pm 10 \%$
Operating distance [mm]	0...3.25

IN0085



Inductive sensor

IN-2004-BBOA

Accuracy / deviations		
Correction factor		steel: 1 / stainless steel: 0.9 / brass: 0.6 / aluminium: 0.5 / copper: 0.4
Hysteresis	[% of Sr]	1...20
Switch point drift	[% of Sr]	-10...10
Operating conditions		
Ambient temperature	[°C]	-25...80
Protection		IP 67
Tests / approvals		
EMC	EN 61000-4-2 ESD	4 kV CD / 8 kV AD
	EN 61000-4-3 HF radiated	3 V/m
	EN 61000-4-4 Burst	2 kV
	EN 61000-4-6 HF conducted	3 V
	EN 55011 emission	class B
MTTF	[years]	609
Mechanical data		
Weight	[g]	99.5
Housing		rectangular
Mounting		non-flush mountable
Dimensions	[mm]	40 x 12 x 26
Materials		housing: PBT
Fixing hole		
Tightening torque	[Nm]	< 0.5
Threaded bush		
Tightening torque	[Nm]	< 1.2; (when brass insert in contact with counterpart)
Displays / operating elements		
Display	switching status	1 x LED, yellow
Electrical connection		
Required protection		miniature fuse to IEC60127-2 sheet 1; ≤ 2 A; fast acting
Remarks		
Remarks		Recommendation: Check the safe functioning of the unit after a short circuit.
Pack quantity		1 pcs.

IN0085



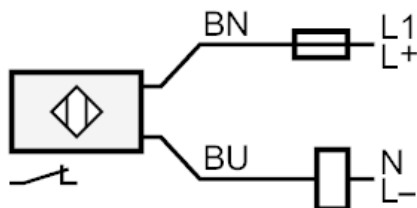
Inductive sensor

IN-2004-BBOA

Electrical connection

Cable: 2 m, PVC; 2 x 0.5 mm²

Connection



Note miniature fuse to IEC60127-2 sheet 1 \leq 2 A fast acting
Core colours :

BN =

brown

BU =

blue