

IM5073



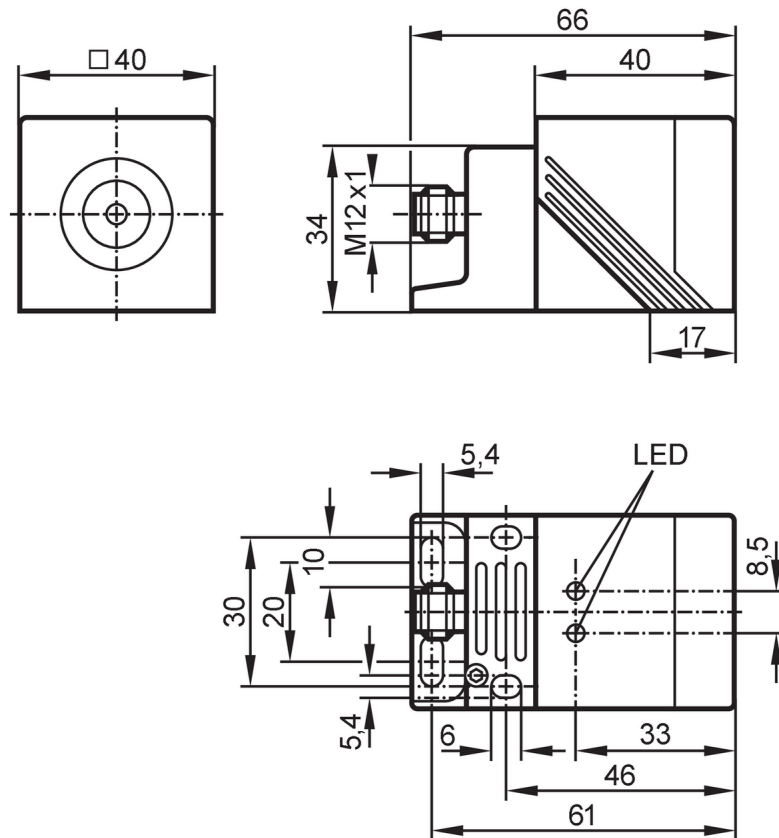
Inductive sensor

IMC4020UCPKG/K1/SC/US-100-DPA

Article no longer available - archive entry

Alternative articles: IM5124

When selecting an alternative article and accessories please note that technical data may differ!



Product characteristics

Electrical design	PNP
Output function	complementary
Sensing range [mm]	20
Housing	rectangular
Dimensions [mm]	40 x 40 x 66

Application

Special feature	Gold-plated contacts; Correction factor K = 1
-----------------	---

Electrical data

Operating voltage [V]	10...36 DC
Current consumption [mA]	20; (24 V)
Protection class	II
Reverse polarity protection	yes

Outputs

Electrical design	PNP
Output function	complementary

IM5073



Inductive sensor

IMC4020UCPKG/K1/SC/US-100-DPA

Max. voltage drop switching output DC [V]	2.5
Permanent current rating of switching output DC [mA]	250
Switching frequency DC [Hz]	200
Short-circuit protection	yes
Type of short-circuit protection	pulsed
Overload protection	yes

Detection zone	
Sensing range [mm]	20
Real sensing range Sr [mm]	20 ± 10 %
Operating distance [mm]	0...16.2

Accuracy / deviations	
Correction factor	steel: 1 / stainless steel: 1.1 / brass: 1.1 / aluminium: 1.1 / copper: 1.1
Hysteresis [% of Sr]	3...15
Switch point drift [% of Sr]	-10...10
Correction factor K = 1	yes

Operating conditions	
Ambient temperature [°C]	-25...70
Protection	IP 67

Tests / approvals		
EMC	EN 60947-5-2	
	EN 55011	class B

Mechanical data	
Housing	rectangular
Mounting	flush mountable
Dimensions [mm]	40 x 40 x 66
Materials	housing: PPE; sensing face: PPE anti-spatter; bevelled housing part: PPS; clamp: PPS

Displays / operating elements		
Display	switching status	1 x LED, yellow
	operation	1 x LED, green

Accessories	
Items supplied	Mounting bracket: 1
	Allen key: 1

Remarks	
Pack quantity	1 pcs.

Electrical connection - plug	
Connector: 1 x M12; coding: A; Contacts: 4, gold-plated	

IM5073



Inductive sensor

IMC4020UCPKG/K1/SC/US-100-DPA

Connection

