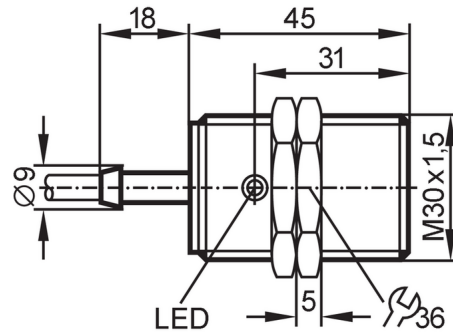


II5166



Inductive sensor

IIB3010-BPKG



Product characteristics

Electrical design	PNP
Output function	normally open
Sensing range [mm]	10
Housing	threaded type
Dimensions [mm]	M30 x 1.5 / L = 45

Electrical data

Operating voltage [V]	18...36 DC
Current consumption [mA]	15; (24 V)
Protection class	III
Reverse polarity protection	yes

Outputs

Electrical design	PNP
Output function	normally open
Max. voltage drop switching output DC [V]	2.5
Permanent current rating of switching output DC [mA]	125; (150 (...50 °C))
Switching frequency DC [Hz]	300
Short-circuit protection	yes
Type of short-circuit protection	pulsed
Overload protection	yes

Detection zone

Sensing range [mm]	10
Real sensing range S_r [mm]	10 ± 10 %
Operating distance [mm]	0...8.1

Accuracy / deviations

Correction factor	steel: 1 / stainless steel: 0.7 / brass: 0.4 / aluminium: 0.3 / copper: 0.2
Hysteresis [% of S_r]	1...15
Switch point drift [% of S_r]	-10...10

Operating conditions

Ambient temperature [°C]	-25...80
--------------------------	----------

II5166



Inductive sensor

IIB3010-BPKG

Protection	IP 67
------------	-------

Tests / approvals

EMC	EN 60947-5-2
-----	--------------

MTTF [years]	2279
--------------	------

Mechanical data

Weight [g]	222.5
------------	-------

Housing	threaded type
---------	---------------

Mounting	flush mountable
----------	-----------------

Dimensions [mm]	M30 x 1.5 / L = 45
-----------------	--------------------

Thread designation	M30 x 1.5
--------------------	-----------

Materials	housing: brass nickel-plated; sensing face: PBT
-----------	---

Displays / operating elements

Display	switching status	1 x LED, yellow
---------	------------------	-----------------

Accessories

Items supplied	lock nuts: 2
----------------	--------------

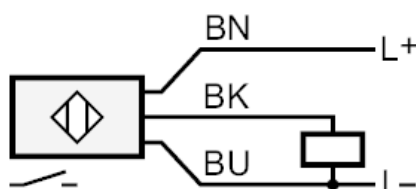
Remarks

Pack quantity	1 pcs.
---------------	--------

Electrical connection

Cable: 2 m, PVC; 3 x 0.5 mm²

Connection



	Core colours :
BN =	brown
BU =	blue
BK =	black