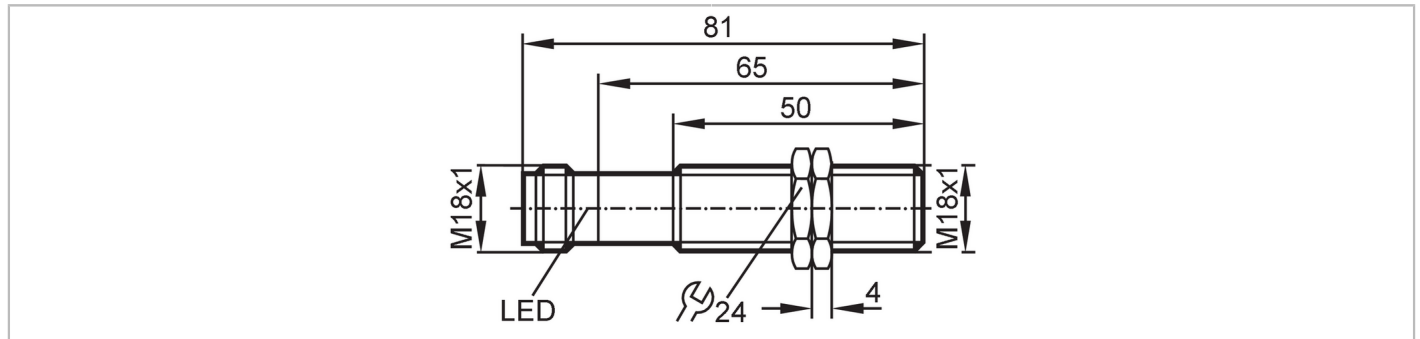


IG5584



Inductive sensor

IGA3005-BPKG/BS-201-APS



Product characteristics	
Electrical design	PNP
Output function	normally open
Sensing range [mm]	5
Housing	threaded type
Dimensions [mm]	M18 x 1 / L = 81
Electrical data	
Operating voltage [V]	10...36 DC
Current consumption [mA]	15; (24 V)
Protection class	II
Reverse polarity protection	yes
Outputs	
Electrical design	PNP
Output function	normally open
Max. voltage drop switching output DC [V]	2.5
Permanent current rating of switching output DC [mA]	250
Switching frequency DC [Hz]	500
Short-circuit protection	yes
Type of short-circuit protection	pulsed
Overload protection	yes
Detection zone	
Sensing range [mm]	5
Real sensing range Sr [mm]	5 ± 10 %
Operating distance [mm]	0...4.05
Accuracy / deviations	
Correction factor	steel: 1 / stainless steel: 0.7 / brass: 0.4 / aluminium: 0.3 / copper: 0.2
Hysteresis [% of Sr]	1...15
Switch point drift [% of Sr]	-10...10
Operating conditions	
Ambient temperature [°C]	-25...80
Protection	IP 65

IG5584



Inductive sensor

IGA3005-BPKG/BS-201-APS

Tests / approvals

EMC	EN 60947-5-2	
	EN 55011	class B
MTTF [years]		1884

Mechanical data

Weight [g]	60.5
Housing	threaded type
Mounting	flush mountable
Dimensions [mm]	M18 x 1 / L = 81
Thread designation	M18 x 1
Materials	housing: brass white bronze coated; sensing face: PC

Displays / operating elements

Display	switching status	1 x LED, yellow
---------	------------------	-----------------

Accessories

Items supplied	lock nuts: 2
----------------	--------------

Remarks

Pack quantity	1 pcs.
---------------	--------

Electrical connection - plug

Connector: 1 x M18; coding: A



Connection

