

IB5070



Inductive sensor

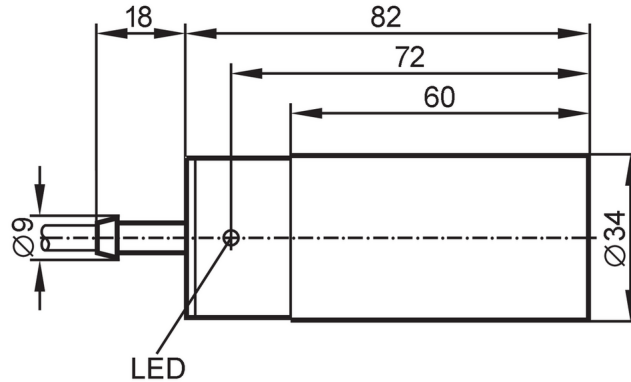
IB-3020-APKG/10M

phase-out article

Discontinuation date: 03/31/2026

Alternative articles: IB5068

When selecting an alternative article and accessories please note that technical data may differ!



Product characteristics

Electrical design	PNP
Output function	normally closed
Sensing range [mm]	20
Housing	cylindrical
Dimensions [mm]	Ø 34 / L = 82

Application

Application	Industrial applications / factory automation
-------------	--

Electrical data

Operating voltage [V]	10...36 DC
Current consumption [mA]	15; (24 V)
Protection class	II
Reverse polarity protection	yes

Outputs

Electrical design	PNP
Output function	normally closed
Max. voltage drop switching output DC [V]	2.5
Permanent current rating of switching output DC [mA]	250
Switching frequency DC [Hz]	60
Short-circuit protection	yes
Type of short-circuit protection	pulsed
Overload protection	yes

Detection zone

Sensing range [mm]	20
--------------------	----

IB5070



Inductive sensor

IB-3020-APKG/10M

Real sensing range Sr	[mm]	20 ± 10 %
Operating distance	[mm]	0...16.2

Accuracy / deviations		
Correction factor		steel: 1 / stainless steel: 0.7 / brass: 0.4 / aluminium: 0.3 / copper: 0.2
Hysteresis	[% of Sr]	1...15
Switch point drift	[% of Sr]	-10...10

Operating conditions		
Ambient temperature	[°C]	-25...80
Protection		IP 67

Tests / approvals		
EMC		EN 60947-5-2
MTTF	[years]	1844

Mechanical data		
Weight	[g]	609
Housing		cylindrical
Mounting		non-flush mountable
Dimensions	[mm]	Ø 34 / L = 82
Materials		housing: PBT

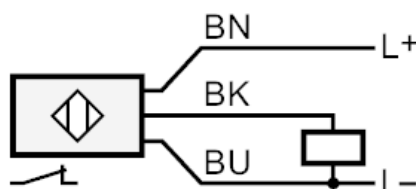
Displays / operating elements		
Display	switching status	1 x LED, yellow

Accessories		
Items supplied		Mounting clamps: 1

Remarks		
Pack quantity		1 pcs.

Electrical connection		
Cable: 10 m, PVC; 3 x 0.5 mm ²		

Connection



	Core colours :
BN =	brown
BU =	blue
BK =	black