

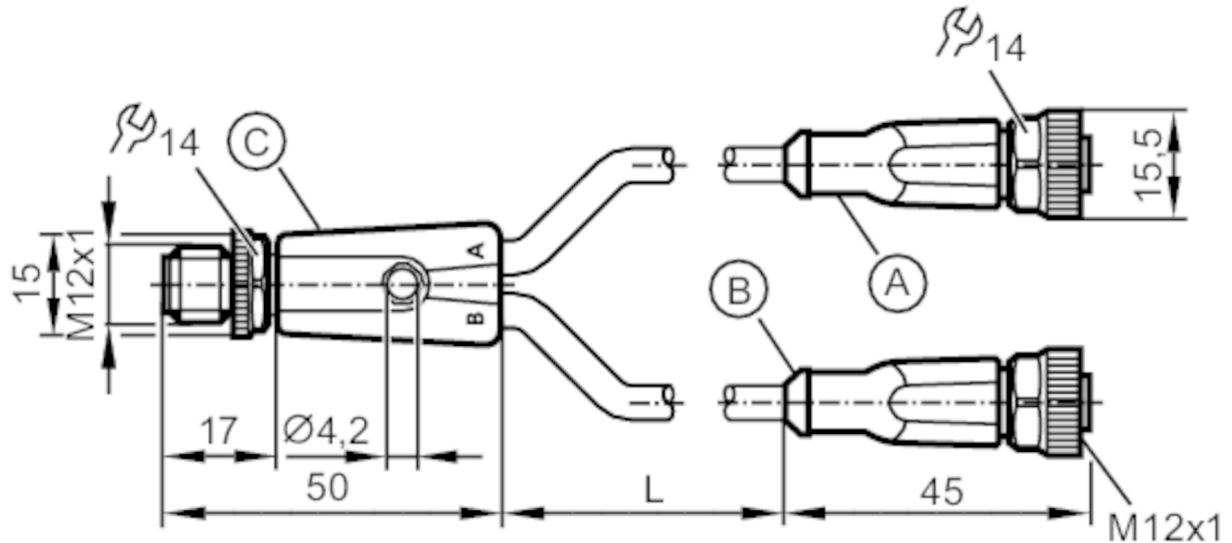
EVC847



Y connection cable for trigger

YDOGHDB0MSS00,4HDBSTGH050MSS

Please see the technical note under "Downloads"



Application	
Special feature	Free from silicone; Halogen-free; Gold-plated contacts; Drag chain suitability
Free from silicone	yes
Electrical data	
Operating voltage [V]	< 60 AC/DC
Protection class	II
Max. current load total [A]	3
Operating conditions	
Ambient temperature [°C]	-25...90
Ambient temperature (moving) [°C]	-25...90
Storage temperature [°C]	-25...55
Storage humidity [%]	10...100
Other climatic conditions for storage according to stated class	1K22/ DIN 60721-3-1
Protection	IP 65; IP 67; IP 68; IP 69K
Mechanical data	
Weight [g]	74.6
Moulded-body material	TPU
Material nut	brass, nickel-plated
Sealing material	Viton

EVC847



Y connection cable for trigger

YDOGHDB0MSS00,4HDBSTGH050MSS

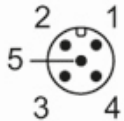
Number of ports splitter box	2
Drag chain suitability	yes
Drag chain suitability	bending radius for flexible use min. 10 x cable diameter
	travel speed max. 3.3 m/s for a horizontal travel length of 5 m and max. acceleration of 5 m/s ²
	bending cycles > 5 Mio.
	torsional strain ± 180 °/m

Remarks

Notes	Please see the technical note under "Downloads"
Pack quantity	1 pcs.

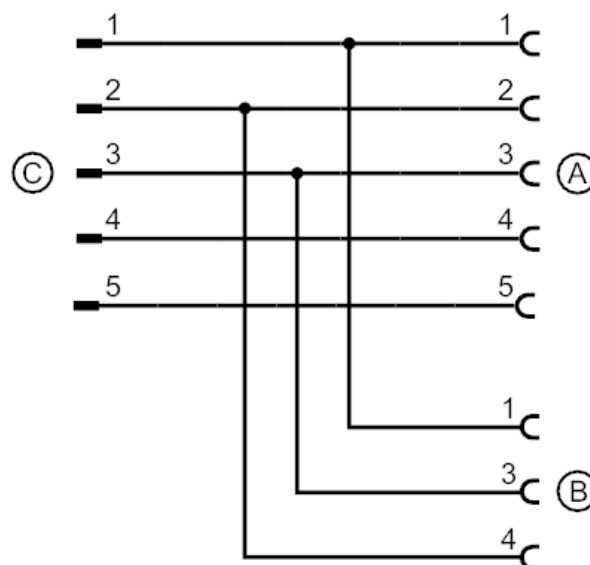
Electrical connection - plug C

Connector: 1 x M12, straight; coding: A; Moulded body: TPU, black; Locking: brass, nickel-plated; Contacts: gold-plated; Tightening torque: 0.6...1.5 Nm



Electrical connection

Connection





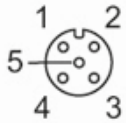
Y connection cable for trigger

YDOGHDB0MSS00,4HDBSTGH050MSS

Electrical connection - socket A

Cable: 0.4 m, PUR, Halogen-free, black, \varnothing 4.6 mm; 5 x 0.34 mm² (42 x \varnothing 0.1 mm)

Connector: 1 x M12, straight; coding: A; Moulded body: TPU, black; Locking: brass, nickel-plated; Sealing: Viton; Contacts: gold-plated; Tightening torque: 0.6...1.5 Nm



Electrical connection - socket B

Cable: 0.4 m, PUR, Halogen-free, black, \varnothing 4.3 mm; 3 x 0.34 mm² (42 x \varnothing 0.1 mm)

Connector: 1 x M12, straight; coding: A; Moulded body: TPU, black; Locking: brass, nickel-plated; Sealing: Viton; Contacts: gold-plated; Tightening torque: 0.6...1.5 Nm

