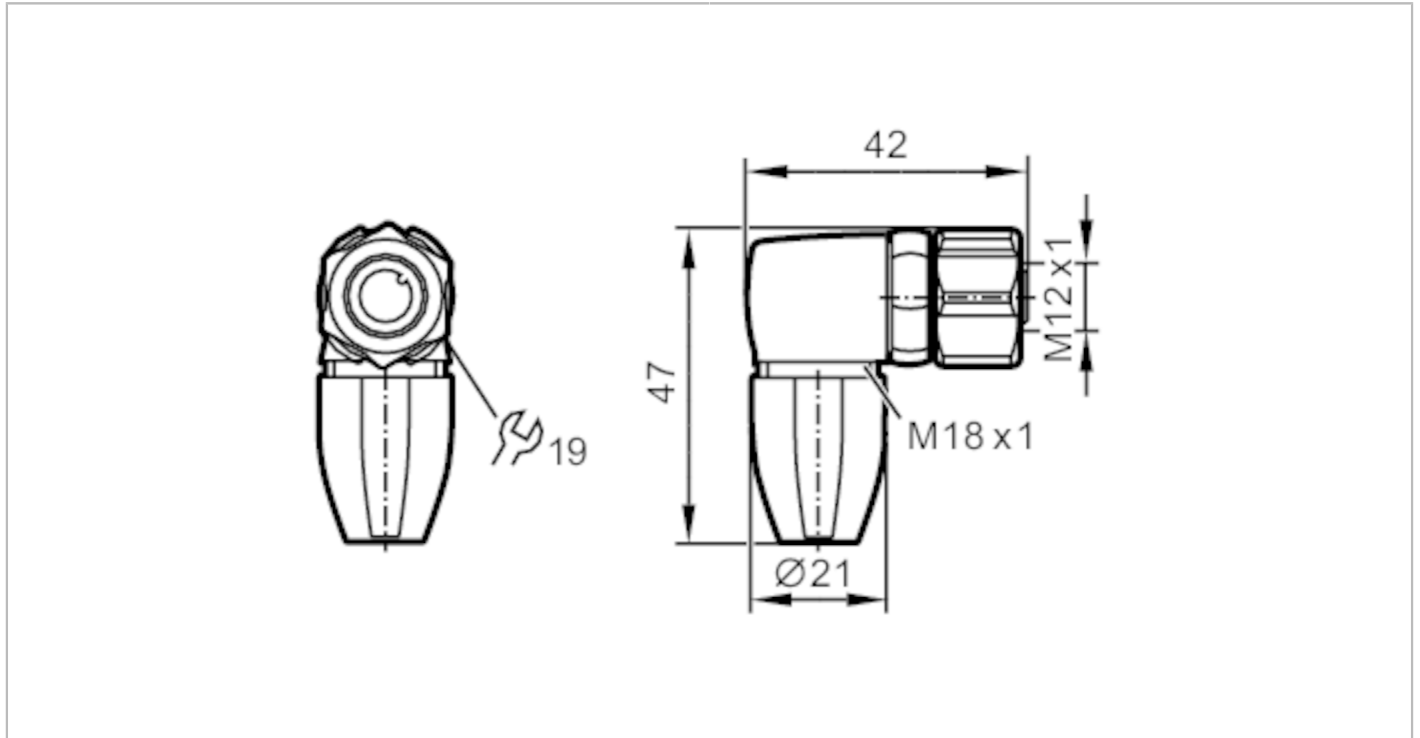


EVC811



Wirable socket

SDOAH040MSSFKPG



| Application | |
|---|--|
| Special feature | Free from silicone; Gold-plated contacts |
| Free from silicone | yes |
| Electrical data | |
| Operating voltage [V] | < 250 AC / < 300 DC |
| Protection class | II |
| Max. current load total [A] | 4; (...40 °C) |
| Operating conditions | |
| Ambient temperature [°C] | -25...90 |
| Storage temperature [°C] | -25...55 |
| Storage humidity [%] | 10...100 |
| Other climatic conditions for storage according to stated class | 1K22/ DIN 60721-3-1 |
| Protection | IP 65; IP 67; IP 68; IP 69K |
| Mechanical data | |
| Weight [g] | 42.8 |
| Moulded-body material | PA 6.6 |
| Material nut | brass, nickel-plated |
| Sealing material | FKM |
| Remarks | |
| Pack quantity | 1 pcs. |

EVC811



Wirable socket

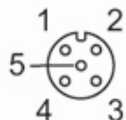
SDOAH040MSSFKPG

Electrical connection

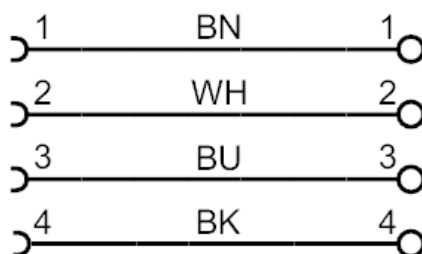
screw terminals: 0.25...1 mm²; Cable sheath: Ø 3.5...6 mm; AWG 23...17

Electrical connection - socket

Connector: 1 x M12, angled; coding: A; Moulded body: PA 6.6, orange; Locking: brass, nickel-plated; Sealing: FKM; Contacts: gold-plated; Tightening torque: 0.6...1.2 Nm; Take into account the maximum value of the counterpart!



Connection



Core colours :
BN = brown
WH = white
BU = blue
BK = black
colours to DIN EN 60947-5-2