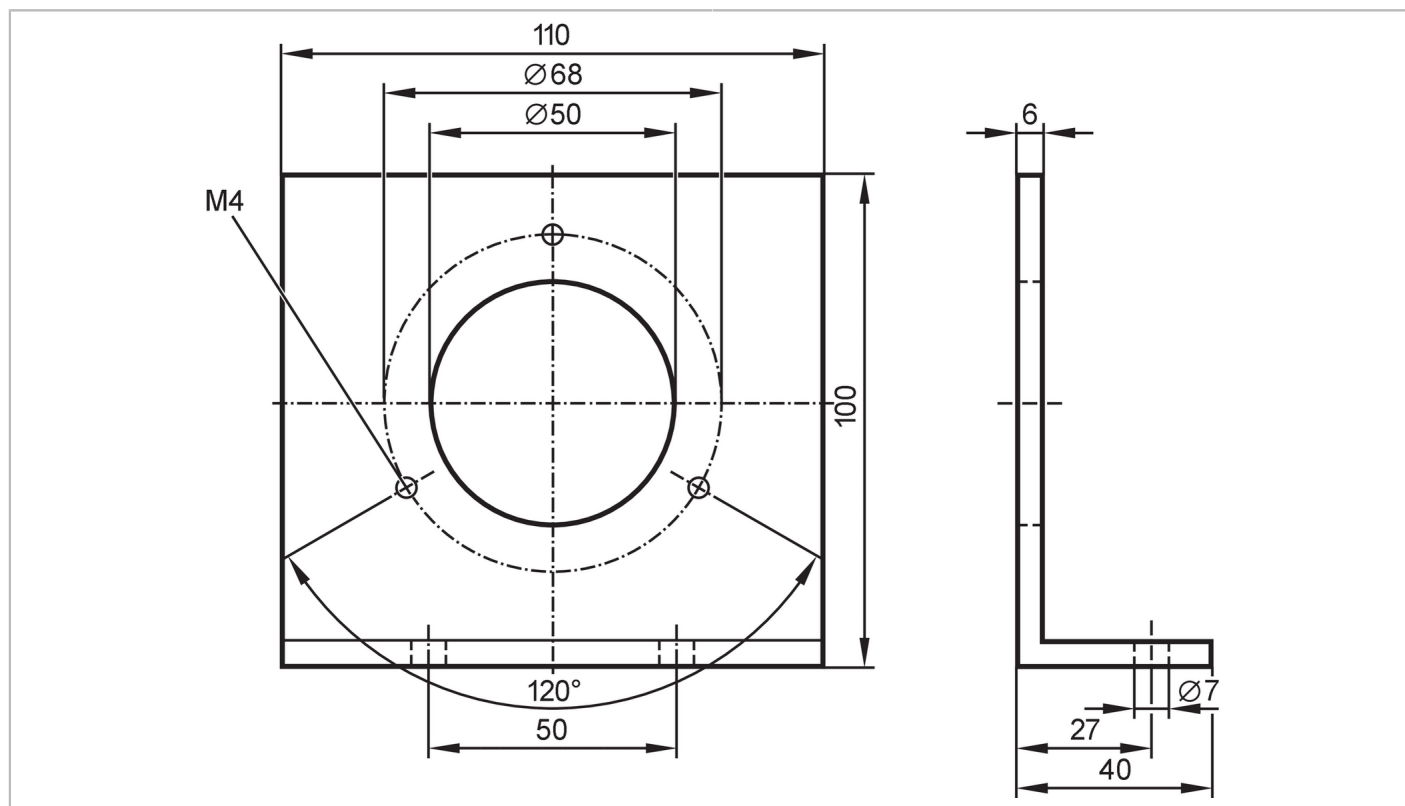


E60034



Angle flange for encoders

ANGLE BRACKET RU,RN,RM,RMU



Application	
Design	for encoders RM, RMU, RN, RU
Mechanical data	
Weight [g]	204.6
Dimensions [mm]	100 x 110 x 40
Materials	aluminium black anodised
Accessories	
Accessories (optional)	fastening clamp: 3, E60041
Remarks	
Pack quantity	1 pcs.