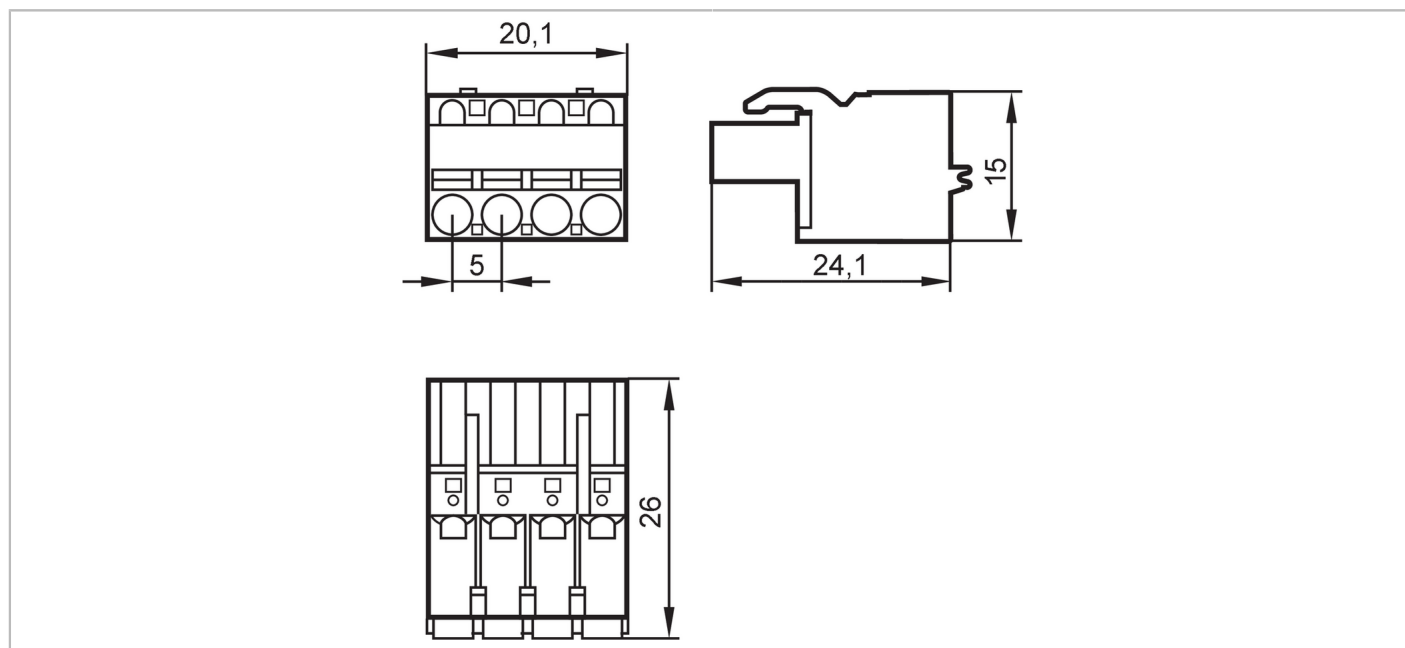


E40171



COMBICON connector

COMBICON PLUG / QUANTITY 5



| Application | |
|-------------------------|---|
| Application | Industrial applications / factory automation |
| Electrical data | |
| Contact resistance [mΩ] | 1.5; (2,5 mm ²) |
| Max. load current [A] | 12; (2,5 mm ²) |
| Mechanical data | |
| Weight [g] | 34.85 |
| Materials | current carrying parts: copper alloy tin-plated |
| Remarks | |
| Pack quantity | 5 pcs. |