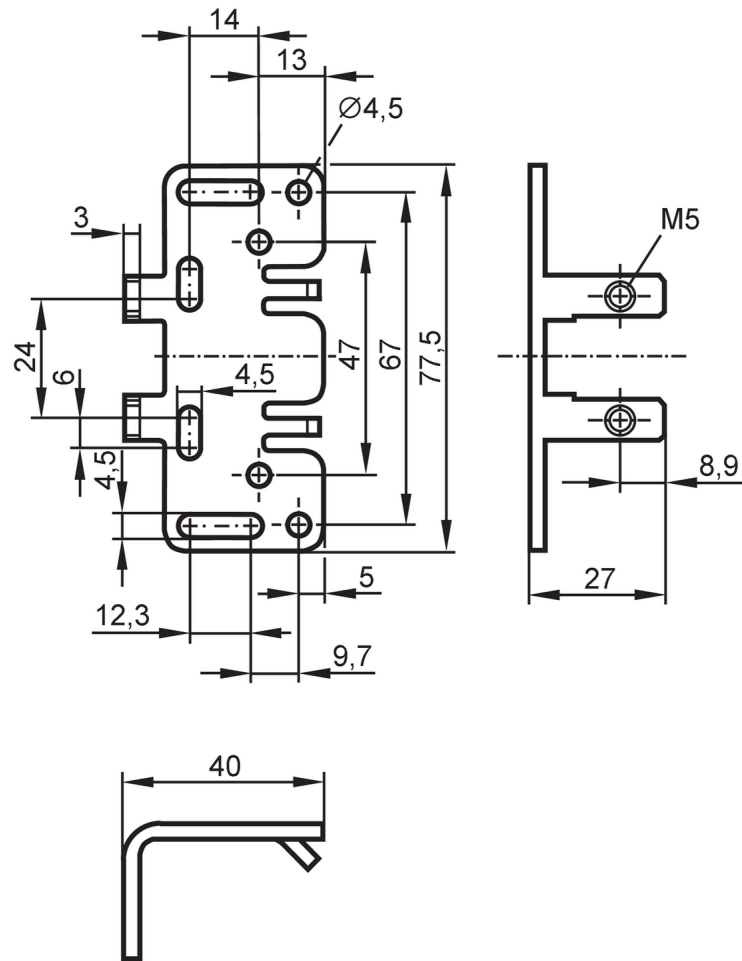


E21085



Angle bracket

O5 ADAPTOR PLATE



Application

Design for types O5

Mechanical data

Weight [g] 73
Dimensions [mm] 77.5 x 27 x 40
Materials stainless steel (316Ti/1.4571)

Accessories

Items supplied cylinder screws: 2 x (M5 x 8 mm)

Remarks

Pack quantity 1 pcs.