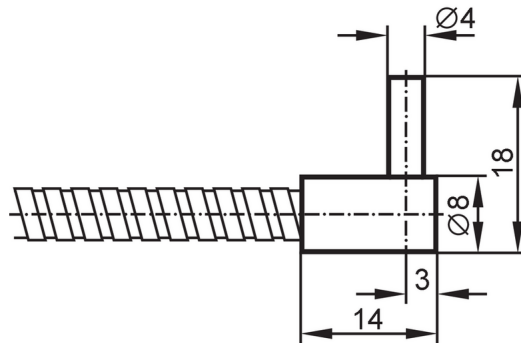


E20058



Fibre optic diffuse reflection sensor

FT-00-A-A-R4



Application	
Function principle	Diffuse reflection sensor
Application	For use in industrial environments; Robust design for use in harsh industrial environments
Detection zone	
Range with fibre optic amplifier type	OKF; OOF; OUF
OKF	
Range fibre optics [mm]	40
OOF	
Range fibre optics [mm]	200
OUF	
Range fibre optics [mm]	40
Operating conditions	
Ambient temperature [°C]	-40...290
Mechanical data	
Weight [g]	51.5
Version of sensing head	angled
Sensing head diameter [mm]	4
Sensing head length [mm]	10
Total length [mm]	600
Min. bending radius [mm]	20; (for fixed installation)
Fibre arrangement	⊙
Materials	Adapter: ABS
Fibre material	glass
Fibre head material	aluminium
Fibre sheath material	aluminium
Accessories	
Items supplied	Mounting clamp:, E10221
Remarks	
Pack quantity	1 pcs.