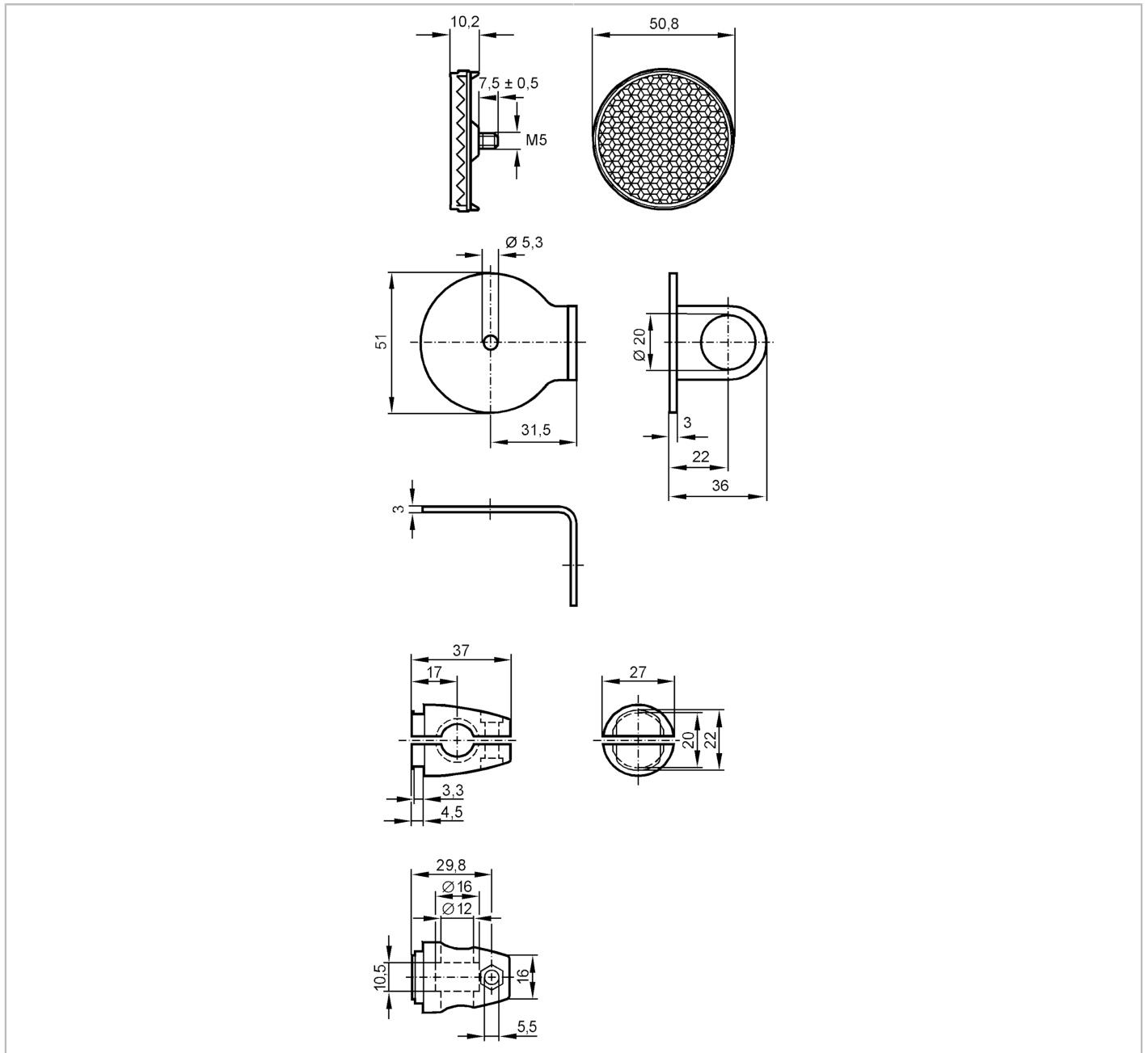


E20998



Mounting set for reflectors

SYSTEM COMPONENT REFLECTOR



Application	
Design	clamp mounting, for reflector
Mechanical data	
Weight [g]	248.5
Type of mounting	free-standing; (M10)
Materials	fixture: stainless steel (316Ti/1.4571); Clamp: stainless steel (1.4408)
Accessories	
Items supplied	head cap screw: 1 x (M10 x 55 mm)
Remarks	
Pack quantity	1 pcs.