

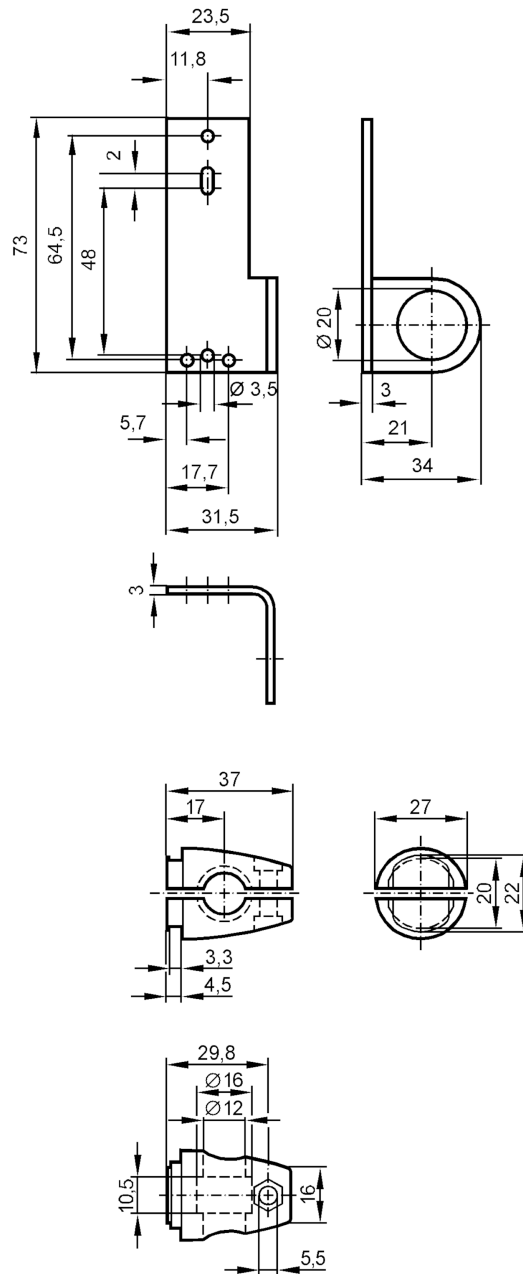
# E20921



## Mounting set for reflectors

SYSTEM COMPONENT REFL ROD

Article no longer available - archive entry



### Application

Design for reflector

### Mechanical data

Type of mounting Mounting rod; ( $\varnothing$  12 mm)

Materials fixture: stainless steel (1.4571/316Ti); Clamp: stainless steel (1.4408)

### Remarks

Pack quantity 1 pcs.

Article no longer available - archive entry