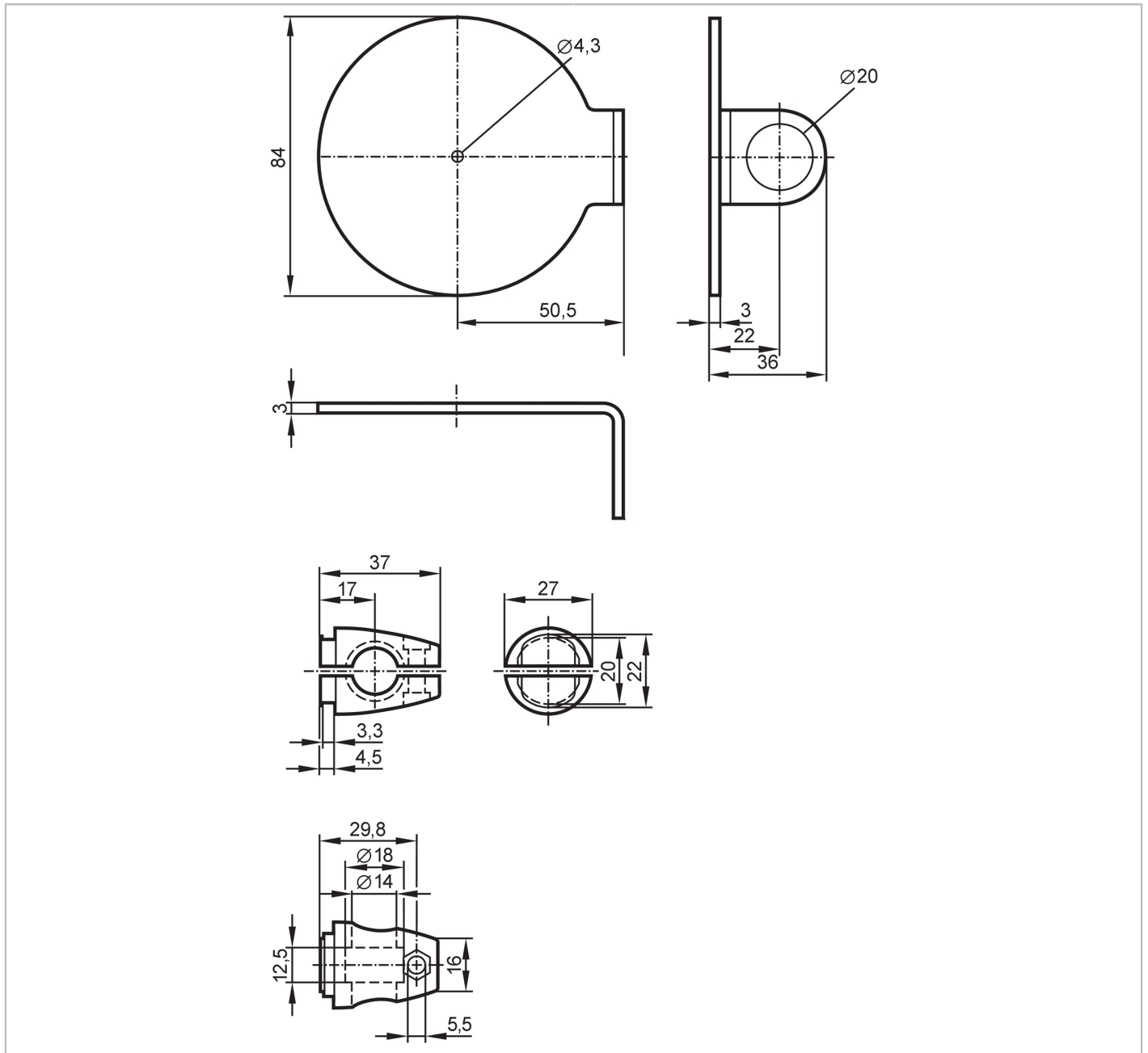


E20915



Mounting set for reflectors

SYSTEM COMPONENT REFL BOLT



Application	
Design	clamp mounting, for reflector, Ø 80 mm
Mechanical data	
Weight	[g] 401
Type of mounting	free-standing; (M12)
Materials	fixture: stainless steel (316Ti/1.4571); Clamp: stainless steel (1.4408)
Accessories	
Items supplied	screw: 1 x (M12 x 120 mm) screw: 1 x (M4 x 12 mm) screw: 1 x (M5 x 16 mm)
Remarks	
Pack quantity	1 pcs.