

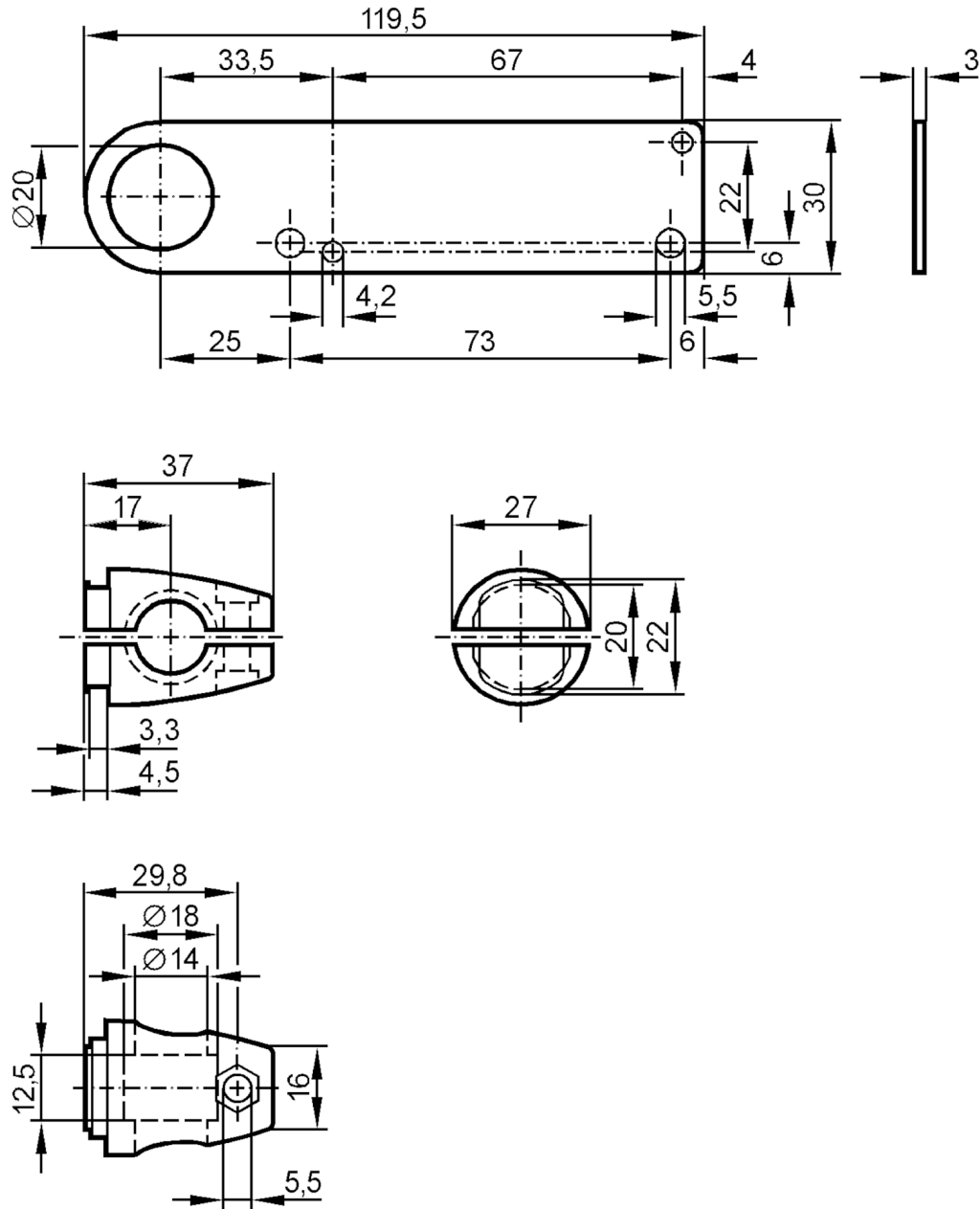
E20895



Mounting set for photoelectric sensors

SYSTEM COMPONENT OA ROD

Article no longer available - archive entry



Mechanical data

Type of mounting

Mounting rod; ($\varnothing 14$ mm)

Materials

fixture: stainless steel (1.4571/316Ti); Clamp: diecast zinc

Remarks

Pack quantity

1 pcs.

Article no longer available - archive entry