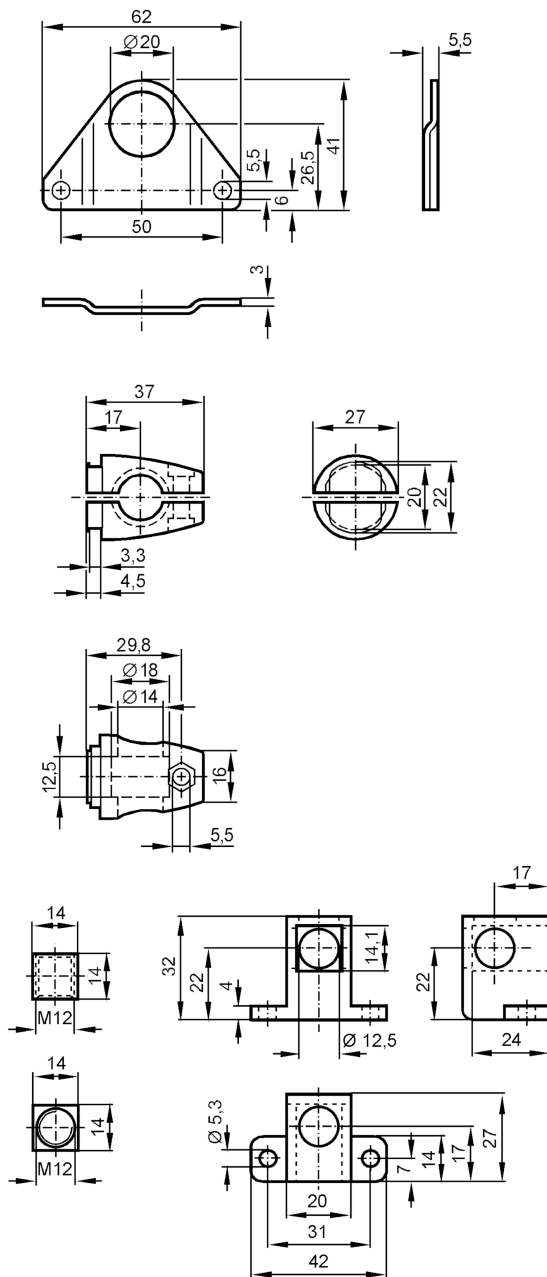




Mounting set for photoelectric sensors

SYSTEM COMPONENT OL RAIL

phase-out article



Application	
Design	clamp mounting
Mechanical data	
Weight [g]	362.8
Type of mounting	aluminium profile
Materials	Clamp: diecast zinc; fixture: stainless steel (316Ti/1.4571); CUBE: diecast zinc
Accessories	
Items supplied	screw: 1 x (M12 x 120 mm)
Remarks	
Pack quantity	1 pcs.